



# The professional Energy Saving attitude to lighting

## MASTER PL-Electronic

Non-covered energy-saving MASTER lamps - the perfect choice for end users that demand the best performance and reliability.

### Benefits

- Highest energy efficiency resulting in one-fifth the energy consumption of an incandescent lamp for the same light output
- Smallest dimensions ensuring optimal physical fit
- Highest reliability throughout life which is especially beneficial where lighting is required for longer periods of time and / or where lamp replacement is difficult
- The unique bridged burner results in an excellent run-up time with very high initial light output and better thermal performance
- Green Flagship product as best environmental choice in the CFL portfolio
- Lifetime independent of switching on-off
- Lowest total cost of ownership

### Features

- Lightweight, superior long-life alternative to incandescent lamps
- The perfect choice for end users that demand the best performance and reliability
- Average lifetime fifteen times longer than an incandescent lamp
- European energy efficiency labelling class A for the complete range
- Very good lumen maintenance throughout the lifetime of the lamp
- Complete range equipped with the unique Philips bridged burner technology (Mercury)
- Very low mercury content ( $\leq 2$  mg)



**Application**

- Designed to replace incandescent lamps in most professional and semi-professional applications
- Mainly indoor (e.g. hotels, restaurants, offices)
- For outdoor applications 3 types (15, 20, 23 W) will remain available also in Amalgam with the benefit of virtually constant light output (>90%) over the recommended temperature
- Enclosed fixtures are required for outdoor applications
- Suitable for emergency lighting with DC supply
- Not suitable for dimming and electronic devices

Related products



11W, B22



11W, E14



11W, E27



5W, E14



5W, E27



8W, B22



8W, E14



8W, E27

Related products



15W, B22



15W, E27



20W, B22



20W, E27



23W, B22



23W, E27

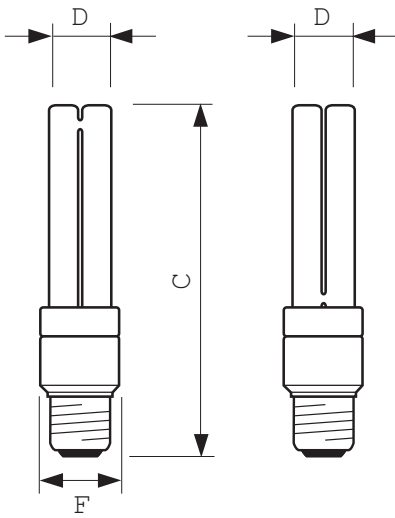


27W, E27



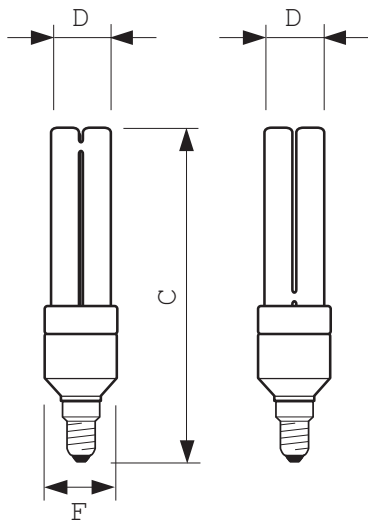
33W, E27

Dimensional drawing



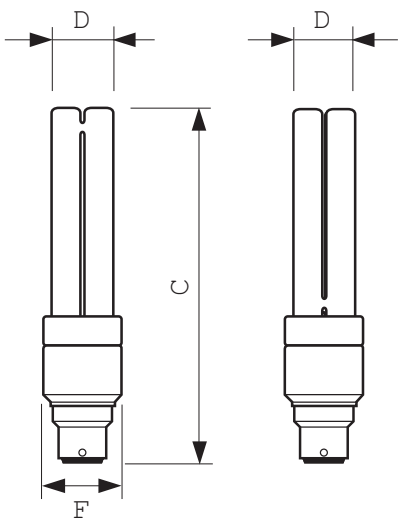
E27

Product	C (Max)	D (Max)	F (Max)
PL E-C 5W/827 E27 230-240V 50/60Hz S34	114.2	28.0	40.3
PL E-C 8W/827 E27 230-240V 50/60Hz S34	119.2	28.0	40.3
PL E-C 8W/865 E27 230-240V 50/60Hz S34	119.2	28.0	40.3
PL E-C 11W/827 E27 230-240V 50/60Hz S34	141.2	28.0	40.3
PL E-C 11W/865 E27 230-240V 50/60Hz S34	141.2	28.0	40.3



E14

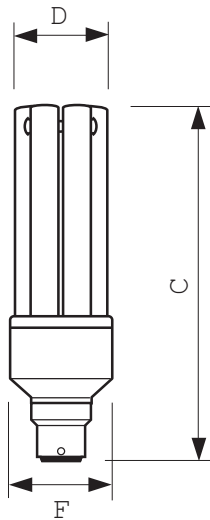
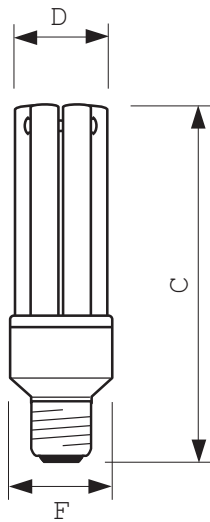
Product	C (Max)	D (Max)	F (Max)
PL E-C 5W/827 E14 230-240V 50/60Hz S34	117.2	28.0	40.3
PL E-C 8W/827 E14 230-240V 50/60Hz S34	122.2	28.0	40.3
PL E-C 11W/827 E14 230-240V 50/60Hz S34	144.2	28.0	40.3



B22

Product	C (Max)	D (Max)	F (Max)
PL E-C 8W/827 B22 230-240V 50/60Hz S34	117.4	28.0	40.3
PL E-C 11W/827 B22 230-240V 50/60Hz S34	139.4	28.0	40.3

Dimensional drawing



E27

Product	C (Max)	D (Max)	F (Max)
PL E-R 15W/827 E27 230-240V 50/60Hz	126.2	39.6	48.0
PL E-R 15W/865 E27 230-240V 50/60Hz	126.2	39.6	48.0
PL E-R 20W/827 E27 230-240V 50/60Hz	137.2	39.6	48.0
PL E-R 20W/840 E27 230-240V 50/60Hz	137.2	39.6	48.0
PL E-R 20W/865 E27 230-240V 50/60Hz	137.2	39.6	48.0
PL E-R 23W/827 E27 230-240V 50/60Hz	152.2	39.6	48.0
PL E-R 23W/840 E27 230-240V 50/60Hz	152.2	39.6	48.0
PL E-R 23W/865 E27 230-240V 50/60Hz	152.2	39.6	48.0
PL E-R 27W/827 E27 230-240V 50/60Hz	174.2	39.6	48.0
PL E-R 27W/865 E27 230-240V 50/60Hz	174.2	39.6	48.0
PL E-R 33W/827 E27 230-240V 50/60Hz	196.2	39.6	48.0
PL E-R 33W/865 E27 230-240V 50/60Hz	196.2	39.6	48.0

B22

Product	C (Max)	D (Max)	F (Max)
PL E-R 15W/827 B22 230-240V 50/60Hz	124.7	39.6	48.0
PL E-R 20W/827 B22 230-240V 50/60Hz	135.7	39.6	48.0
PL E-R 23W/827 B22 230-240V 50/60Hz	150.7	39.6	48.0

General Characteristics

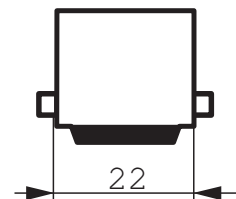
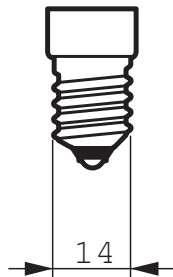
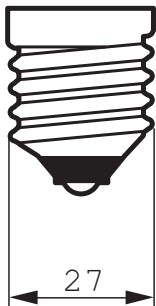
Order code	Full product name	Cap-Base	Average Lifetime	Life to 50% failures	Rated Lifetime (hours)	Rated Lifetime (years)
929731082705	MASTER PL-Electronic 11W/827 B22 230-240V 1CT	B22	15000	15000	15000	15
929731182705	MASTER PL-Electronic 11W/827 E14 230-240V 1CT	E14	15000	15000	15000	15
929730982705	MASTER PL-Electronic 11W/827 E27 230-240V 1CT	E27	15000	15000	15000	15
929730986505	MASTER PL-Electronic 11W/865 E27 230-240V 1CT	E27	15000	15000	15000	15

Order code	Full product name	Cap-Base	Average Lifetime	Life to 50% failures	Rated Lifetime (hours)	Rated Lifetime (years)
929730382705	MASTER PL-Electronic 5W/827 E14 230-240V 1CT	E14	15000	15000	15000	15
929730182705	MASTER PL-Electronic 5W/827 E27 230-240V 1CT	E27	15000	15000	15000	15
929730682705	MASTER PL-Electronic 8W/827 B22 230-240V 1CT	B22	15000	15000	15000	15
929730782705	MASTER PL-Electronic 8W/827 E14 230-240V 1CT	E14	15000	15000	15000	15

Order code	Full product name	Cap-Base	Average Lifetime	Life to 50% fail-ures	Rated Life-time (hours)	Rated Life-time (years)
929730582705	MASTER PL-Electronic 8W/827 E27 230-240V 1CT	E27	15000	15000	15000	15
929730586505	MASTER PL-Electronic 8W/865 E27 230-240V 1CT	E27	15000	15000	15000	15
929745297004	MASTER PL-Electronic 15W/827 B22 230-240V 1CT	B22	20000	20000	20000	20
929745197004	MASTER PL-Electronic 15W/827 E27 230-240V 1CT	E27	20000	20000	20000	20
929745197304	MASTER PL-Electronic 15W/865 E27 230-240V 1CT	E27	20000	20000	20000	20
929746297004	MASTER PL-Electronic 20W/827 B22 230-240V 1CT	B22	20000	20000	20000	20
929746197004	MASTER PL-Electronic 20W/827 E27 230-240V 1CT	E27	20000	20000	20000	20
929746197204	MASTER PL-Electronic 20W/840 E27 230-240V 1CT	E27	20000	20000	20000	20
929746197304	MASTER PL-Electronic 20W/865 E27 230-240V 1CT	E27	20000	20000	20000	20

Order code	Full product name	Cap-Base	Average Lifetime	Life to 50% fail-ures	Rated Life-time (hours)	Rated Life-time (years)
929747297004	MASTER PL-Electronic 23W/827 B22 230-240V 1CT	B22	20000	20000	20000	20
929747197004	MASTER PL-Electronic 23W/827 E27 230-240V 1CT	E27	20000	20000	20000	20
929747197204	MASTER PL-Electronic 23W/840 E27 230-240V 1CT	E27	20000	20000	20000	20
929747197304	MASTER PL-Electronic 23W/865 E27 230-240V 1CT	E27	20000	20000	20000	20
929748197004	MASTER PL-Electronic 27W/827 E27 230-240V 1CT	E27	20000	20000	20000	20
929748197304	MASTER PL-Electronic 27W/865 E27 230-240V 1CT	E27	20000	20000	20000	20
929749197004	MASTER PL-Electronic 33W/827 E27 230-240V 1CT	E27	20000	20000	20000	20
929749197304	MASTER PL-Electronic 33W/865 E27 230-240V 1CT	E27	20000	20000	20000	20

Installation diagrams



Light Technical Characteristics (1/2)

Order code	Full product name	Color Code	Color Designation (text)	Luminous flux lamp	Chromaticity Coordinate X	Chromaticity Coordinate Y	Color Rendering Index	Lumen Maintenance 2000h	Lumen Maintenance 5000h	Luminous Intensity	Luminous Efficacy Lamp
929731082705	MASTER PL-Electronic 11W/827 B22 230-240V 1CT	827	Warm White	600	466	422	82	90	85	-	55
929731182705	MASTER PL-Electronic 11W/827 E14 230-240V 1CT	827	Warm White	600	466	422	82	90	85	-	55
929730982705	MASTER PL-Electronic 11W/827 E27 230-240V 1CT	827	Warm White	600	466	422	82	90	85	-	55
929730986505	MASTER PL-Electronic 11W/865 E27 230-240V 1CT	865	Cool Daylight	575	315	340	76	85	80	-	52
929730382705	MASTER PL-Electronic 5W/827 E14 230-240V 1CT	827	Warm White	210	470	428	82	90	85	-	42
929730182705	MASTER PL-Electronic 5W/827 E27 230-240V 1CT	827	Warm White	210	470	428	82	90	85	-	42
929730682705	MASTER PL-Electronic 8W/827 B22 230-240V 1CT	827	Warm White	432	467	424	82	90	85	-	50
929730782705	MASTER PL-Electronic 8W/827 E14 230-240V 1CT	827	Warm White	432	467	424	82	90	85	-	50
929730582705	MASTER PL-Electronic 8W/827 E27 230-240V 1CT	827	Warm White	432	467	424	82	90	85	-	50
929730586505	MASTER PL-Electronic 8W/865 E27 230-240V 1CT	865	Cool Daylight	380	315	340	76	85	80	-	48
929745297004	MASTER PL-Electronic 15W/827 B22 230-240V 1CT	827	Warm White	875	457	416	82	90	85	-	56
929745197004	MASTER PL-Electronic 15W/827 E27 230-240V 1CT	827	Warm White	875	457	416	82	95	90	-	56
929745197304	MASTER PL-Electronic 15W/865 E27 230-240V 1CT	865	Cool Daylight	825	315	340	76	90	85	-	52.8
929746297004	MASTER PL-Electronic 20W/827 B22 230-240V 1CT	827	Warm White	1200	457	416	82	95	90	-	60
929746197004	MASTER PL-Electronic 20W/827 E27 230-240V 1CT	827	Warm White	1200	457	416	82	95	90	-	60
929746197204	MASTER PL-Electronic 20W/840 E27 230-240V 1CT	840	Cool White	1175	382	389	80	90	85	-	58.8
929746197304	MASTER PL-Electronic 20W/865 E27 230-240V 1CT	865	Cool Daylight	1175	315	340	76	90	85	-	58.8
929747297004	MASTER PL-Electronic 23W/827 B22 230-240V 1CT	827	Warm White	1500	457	416	82	95	90	-	63
929747197004	MASTER PL-Electronic 23W/827 E27 230-240V 1CT	827	Warm White	1500	457	416	82	95	90	-	63
929747197204	MASTER PL-Electronic 23W/840 E27 230-240V 1CT	840	Cool White	1400	382	389	80	90	85	-	59.4
929747197304	MASTER PL-Electronic 23W/865 E27 230-240V 1CT	865	Cool Daylight	1400	315	340	76	90	85	-	59.4
929748197004	MASTER PL-Electronic 27W/827 E27 230-240V 1CT	827	Warm White	1800	457	416	82	95	90	-	62
929748197304	MASTER PL-Electronic 27W/865 E27 230-240V 1CT	865	Cool Daylight	1700	315	340	76	90	85	-	58.6
929749197004	MASTER PL-Electronic 33W/827 E27 230-240V 1CT	827	Warm White	2250	457	416	82	95	90	-	65.2
929749197304	MASTER PL-Electronic 33W/865 E27 230-240V 1CT	865	Cool Daylight	2150	315	340	76	90	85	-	64.5

Light Technical Characteristics (2/2)

Order code	Full product name	Color Temperature	Rated Luminous Flux
929731082705	MASTER PL-Electronic 11W/827 B22 230-240V 1CT	2700	600
929731182705	MASTER PL-Electronic 11W/827 E14 230-240V 1CT	2700	600
929730982705	MASTER PL-Electronic 11W/827 E27 230-240V 1CT	2700	600
929730986505	MASTER PL-Electronic 11W/865 E27 230-240V 1CT	6500	590
929730382705	MASTER PL-Electronic 5W/827 E14 230-240V 1CT	2700	210
929730182705	MASTER PL-Electronic 5W/827 E27 230-240V 1CT	2700	210
929730682705	MASTER PL-Electronic 8W/827 B22 230-240V 1CT	2700	432
929730782705	MASTER PL-Electronic 8W/827 E14 230-240V 1CT	2700	432
929730582705	MASTER PL-Electronic 8W/827 E27 230-240V 1CT	2700	432
929730586505	MASTER PL-Electronic 8W/865 E27 230-240V 1CT	6500	380
929745297004	MASTER PL-Electronic 15W/827 B22 230-240V 1CT	2700	875
929745197004	MASTER PL-Electronic 15W/827 E27 230-240V 1CT	2700	875
929745197304	MASTER PL-Electronic 15W/865 E27 230-240V 1CT	6500	825
929746297004	MASTER PL-Electronic 20W/827 B22 230-240V 1CT	2700	1200

Order code	Full product name	Color Temperature	Rated Luminous Flux
929746197004	MASTER PL-Electronic 20W/827 E27 230-240V 1CT	2700	1200
929746197204	MASTER PL-Electronic 20W/840 E27 230-240V 1CT	4000	1175
929746197304	MASTER PL-Electronic 20W/865 E27 230-240V 1CT	6500	1175
929747297004	MASTER PL-Electronic 23W/827 B22 230-240V 1CT	2700	1485
929747197004	MASTER PL-Electronic 23W/827 E27 230-240V 1CT	2700	1485
929747197204	MASTER PL-Electronic 23W/840 E27 230-240V 1CT	4000	1400
929747197304	MASTER PL-Electronic 23W/865 E27 230-240V 1CT	6500	1400
929748197004	MASTER PL-Electronic 27W/827 E27 230-240V 1CT	2700	1800
929748197304	MASTER PL-Electronic 27W/865 E27 230-240V 1CT	6500	1700
929749197004	MASTER PL-Electronic 33W/827 E27 230-240V 1CT	2700	2250
929749197304	MASTER PL-Electronic 33W/865 E27 230-240V 1CT	6500	2150

Electrical Characteristics

Order code	Full product name	Voltage	Line Frequency	Lamp Wattage	Lamp Current	Dimmable	Wattage Equivalent	Rated Wattage	Starting Time	Warm-up Time to 60% Light Outp
929731082705	MASTER PL-Electronic 11W/827 B22 230-240V 1CT	230-240	50/60	11	0.075	No	50	11	0.2 (max)	10 (nom), 60 (max)
929731182705	MASTER PL-Electronic 11W/827 E14 230-240V 1CT	230-240	50/60	11	0.075	No	50	11	0.2 (max)	10 (nom), 60 (max)
929730982705	MASTER PL-Electronic 11W/827 E27 230-240V 1CT	230-240	50/60	11	0.075	No	50	11	0.2 (max)	10 (nom), 60 (max)
929730986505	MASTER PL-Electronic 11W/865 E27 230-240V 1CT	230-240	50/60	11	0.075	No	50	11	0.2 (max)	10 (nom), 60 (max)
929730382705	MASTER PL-Electronic 5W/827 E14 230-240V 1CT	230-240	50/60	5	0.040	No	25	5	0.2 (max)	10 (nom), 60 (max)
929730182705	MASTER PL-Electronic 5W/827 E27 230-240V 1CT	230-240	50/60	5	0.040	No	25	5	0.2 (max)	10 (nom), 60 (max)
929730682705	MASTER PL-Electronic 8W/827 B22 230-240V 1CT	230-240	50/60	8	0.065	No	40	8	0.2 (max)	10 (nom), 60 (max)



Order code	Full product name	Voltage	Line Frequency	Lamp Wattage	Lamp Current	Dimmable	Wattage Equivalent	Rated Wattage	Starting Time	Warm-up Time to 60% Light Outp
929730782705	MASTER PL-Electronic 8W/827 E14 230-240V 1CT	230-240	50/60	8	0.065	No	40	8	0.2 (max)	10 (nom), 60 (max)
929730582705	MASTER PL-Electronic 8W/827 E27 230-240V 1CT	230-240	50/60	8	0.065	No	40	8	0.2 (max)	10 (nom), 60 (max)
929730586505	MASTER PL-Electronic 8W/865 E27 230-240V 1CT	230-240	50/60	8	0.065	No	36	8	0.2 (max)	10 (nom), 60 (max)
929745297004	MASTER PL-Electronic 15W/827 B22 230-240V 1CT	230-240	50/60	15	0.110	No	70	15	1.0 (max)	10 (nom), 60 (max)
929745197004	MASTER PL-Electronic 15W/827 E27 230-240V 1CT	230-240	50/60	15	0.110	No	70	15	1.0 (max)	10 (nom), 60 (max)
929745197304	MASTER PL-Electronic 15W/865 E27 230-240V 1CT	230-240	50/60	15	0.110	No	65	15	1.0 (max)	10 (nom), 60 (max)
929746297004	MASTER PL-Electronic 20W/827 B22 230-240V 1CT	230-240	50/60	20	0.140	No	90	20	1.0 (max)	10 (nom), 60 (max)
929746197004	MASTER PL-Electronic 20W/827 E27 230-240V 1CT	230-240	50/60	20	0.140	No	90	20	1.0 (max)	10 (nom), 60 (max)
929746197204	MASTER PL-Electronic 20W/840 E27 230-240V 1CT	230-240	50/60	20	0.140	No	87	20	1.0 (max)	10 (nom), 60 (max)
929746197304	MASTER PL-Electronic 20W/865 E27 230-240V 1CT	230-240	50/60	20	0.140	No	87	20	1.0 (max)	10 (nom), 60 (max)
929747297004	MASTER PL-Electronic 23W/827 B22 230-240V 1CT	230-240	50/60	23	0.156	No	105	23	1.0 (max)	10 (nom), 60 (max)
929747197004	MASTER PL-Electronic 23W/827 E27 230-240V 1CT	230-240	50/60	23	0.156	No	105	23	1.0 (max)	10 (nom), 60 (max)
929747197204	MASTER PL-Electronic 23W/840 E27 230-240V 1CT	230-240	50/60	23	0.156	No	100	23	1.0 (max)	10 (nom), 60 (max)
929747197304	MASTER PL-Electronic 23W/865 E27 230-240V 1CT	230-240	50/60	23	0.156	No	100	23	1.0 (max)	10 (nom), 60 (max)
929748197004	MASTER PL-Electronic 27W/827 E27 230-240V 1CT	230-240	50/60	27	0.124	No	125	27	1.0 (max)	10 (nom), 60 (max)
929748197304	MASTER PL-Electronic 27W/865 E27 230-240V 1CT	230-240	50/60	27	0.124	No	120	27	1.0 (max)	10 (nom), 60 (max)
929749197004	MASTER PL-Electronic 33W/827 E27 230-240V 1CT	230-240	50/60	33	0.155	No	150	33	1.0 (max)	20 (nom), 60 (max)
929749197304	MASTER PL-Electronic 33W/865 E27 230-240V 1CT	230-240	50/60	33	0.155	No	145	33	1.0 (max)	20 (nom), 60 (max)

Environmental Characteristics

Order code	Full product name	Energy Efficiency Label (EEL)	Mercury (Hg) Content
929731082705	MASTER PL-Electronic 11W/827 B22 230-240V 1CT	A	1.41
929731182705	MASTER PL-Electronic 11W/827 E14 230-240V 1CT	A	1.41
929730982705	MASTER PL-Electronic 11W/827 E27 230-240V 1CT	A	1.41
929730986505	MASTER PL-Electronic 11W/865 E27 230-240V 1CT	A	1.41
929730382705	MASTER PL-Electronic 5W/827 E14 230-240V 1CT	A	1.41
929730182705	MASTER PL-Electronic 5W/827 E27 230-240V 1CT	A	1.41
929730682705	MASTER PL-Electronic 8W/827 B22 230-240V 1CT	A	1.41
929730782705	MASTER PL-Electronic 8W/827 E14 230-240V 1CT	A	1.41
929730582705	MASTER PL-Electronic 8W/827 E27 230-240V 1CT	A	1.41
929730586505	MASTER PL-Electronic 8W/865 E27 230-240V 1CT	A	1.41
929745297004	MASTER PL-Electronic 15W/827 B22 230-240V 1CT	A	1.41
929745197004	MASTER PL-Electronic 15W/827 E27 230-240V 1CT	A	1.41
929745197304	MASTER PL-Electronic 15W/865 E27 230-240V 1CT	A	1.41
929746297004	MASTER PL-Electronic 20W/827 B22 230-240V 1CT	A	1.41
929746197004	MASTER PL-Electronic 20W/827 E27 230-240V 1CT	A	1.41
929746197204	MASTER PL-Electronic 20W/840 E27 230-240V 1CT	A	1.41
929746197304	MASTER PL-Electronic 20W/865 E27 230-240V 1CT	A	1.41
929747297004	MASTER PL-Electronic 23W/827 B22 230-240V 1CT	A	1.41
929747197004	MASTER PL-Electronic 23W/827 E27 230-240V 1CT	A	1.41
929747197204	MASTER PL-Electronic 23W/840 E27 230-240V 1CT	A	1.41
929747197304	MASTER PL-Electronic 23W/865 E27 230-240V 1CT	A	1.41
929748197004	MASTER PL-Electronic 27W/827 E27 230-240V 1CT	A	1.41

Order code	Full product name	Energy Efficiency Label (EEL)	Mercury (Hg) Content
929748197304	MASTER PL-Electronic 27W/865 E27 230-240V 1CT	A	1.41
929749197004	MASTER PL-Electronic 33W/827 E27 230-240V 1CT	A	1.41
929749197304	MASTER PL-Electronic 33W/865 E27 230-240V 1CT	A	1.41

Measuring Conditions

Order code	Full product name	Switching cycle
929731082705	MASTER PL-Electronic 11W/827 B22 230-240V 1CT	20000X
929731182705	MASTER PL-Electronic 11W/827 E14 230-240V 1CT	20000X
929730982705	MASTER PL-Electronic 11W/827 E27 230-240V 1CT	20000X
929730986505	MASTER PL-Electronic 11W/865 E27 230-240V 1CT	20000X
929730382705	MASTER PL-Electronic 5W/827 E14 230-240V 1CT	20000X
929730182705	MASTER PL-Electronic 5W/827 E27 230-240V 1CT	20000X
929730682705	MASTER PL-Electronic 8W/827 B22 230-240V 1CT	20000X
929730782705	MASTER PL-Electronic 8W/827 E14 230-240V 1CT	20000X
929730582705	MASTER PL-Electronic 8W/827 E27 230-240V 1CT	20000X
929730586505	MASTER PL-Electronic 8W/865 E27 230-240V 1CT	20000X
929745297004	MASTER PL-Electronic 15W/827 B22 230-240V 1CT	50000X
929745197004	MASTER PL-Electronic 15W/827 E27 230-240V 1CT	50000X
929745197304	MASTER PL-Electronic 15W/865 E27 230-240V 1CT	50000X
929746297004	MASTER PL-Electronic 20W/827 B22 230-240V 1CT	50000X
929746197004	MASTER PL-Electronic 20W/827 E27 230-240V 1CT	50000X
929746197204	MASTER PL-Electronic 20W/840 E27 230-240V 1CT	50000X
929746197304	MASTER PL-Electronic 20W/865 E27 230-240V 1CT	50000X
929747297004	MASTER PL-Electronic 23W/827 B22 230-240V 1CT	50000X
929747197004	MASTER PL-Electronic 23W/827 E27 230-240V 1CT	50000X
929747197204	MASTER PL-Electronic 23W/840 E27 230-240V 1CT	50000X
929747197304	MASTER PL-Electronic 23W/865 E27 230-240V 1CT	50000X
929748197004	MASTER PL-Electronic 27W/827 E27 230-240V 1CT	50000X
929748197304	MASTER PL-Electronic 27W/865 E27 230-240V 1CT	50000X
929749197004	MASTER PL-Electronic 33W/827 E27 230-240V 1CT	50000X
929749197304	MASTER PL-Electronic 33W/865 E27 230-240V 1CT	50000X



© 2011 Koninklijke Philips Electronics N.V.  
All rights reserved.

Specifications are subject to change without notice. Trademarks are the property of Koninklijke Philips Electronics N.V. or their respective owners.

[www.philips.com/lighting](http://www.philips.com/lighting)

2011, November 25  
data subject to change