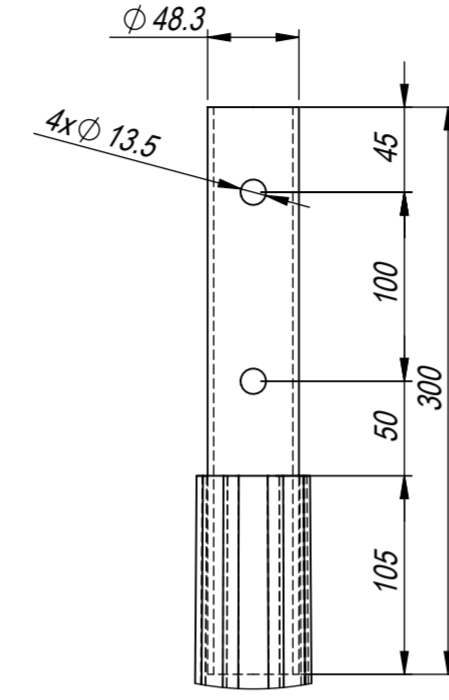
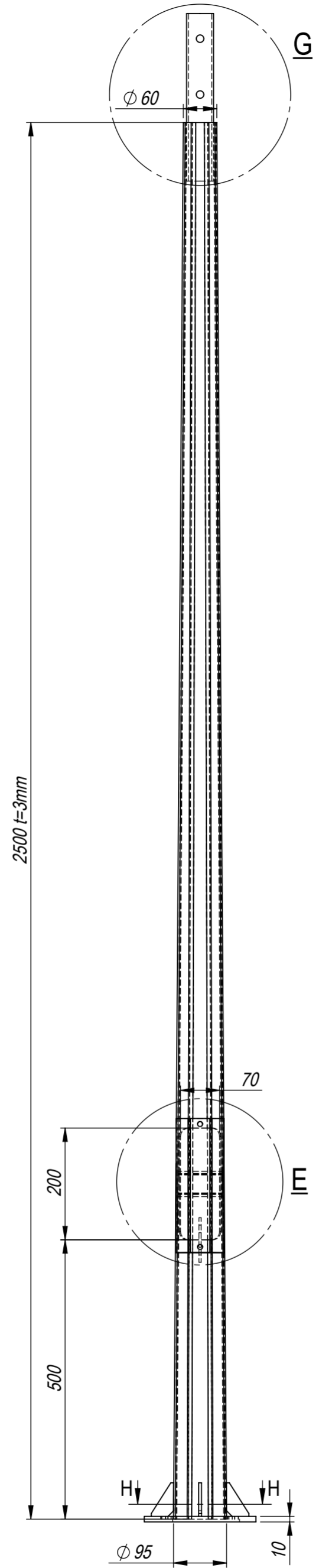
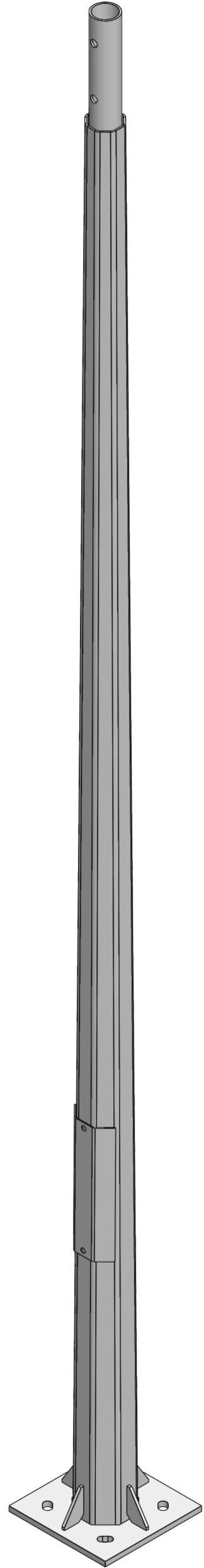
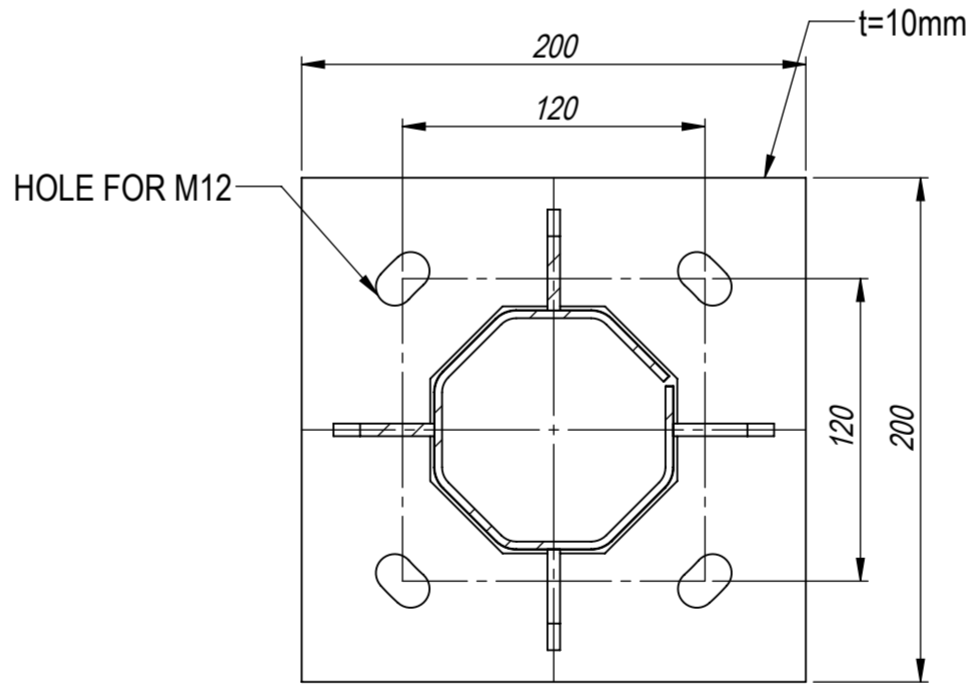


ALL RIGHTS RESERVED. REPRODUCTION OR ISSUE TO THIRD PARTIES IN ANY FORM WHATSOEVER IS NOT PERMITTED WITHOUT WRITTEN AUTHORITY FROM THE PROPRIETORS.

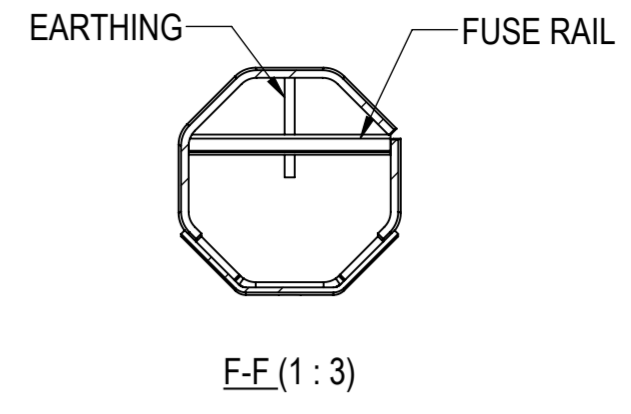
HER HAKKI MAHFUZDUR. YAZILI IZIN OLMADAN DOKÜMANLARIN HIÇ BİR KISMI KOPYA, KAYIT, BASIM VEYA DİĞER HERHANGİ BİR ŞEKİLDE ÇOĞALTIYLAZ VE YA YINLANMAZ.



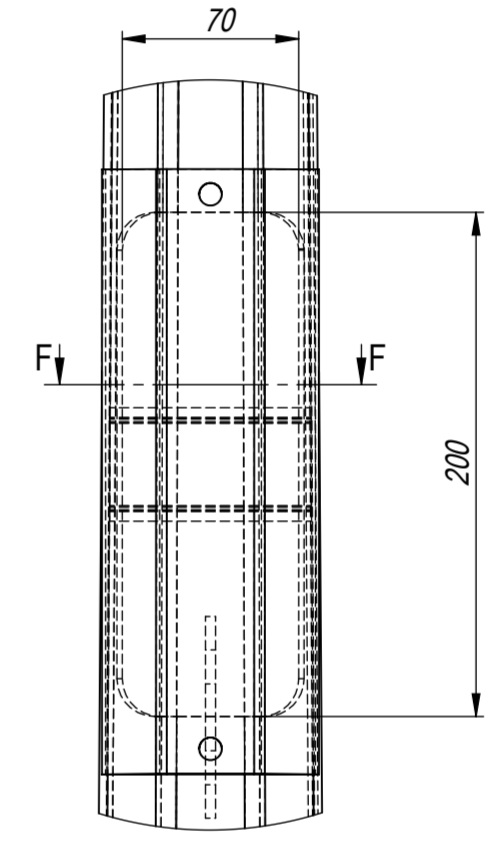
DETAIL G
SCALE: 1/4



H-H (1:3)



F-F (1:3)



DETAIL E
SCALE: 1/3

Anchor Set: AC Set 1

REVİZYONLAR / REVISIONS			
REV.	TANIM DESCRIPTION	TARİH DATE	ONAY APPROVED

GENEL NOTLAR GENERAL NOTES

TÜM ÖLÇÜLER mm'DİR.
ALL DIMENSIONS ARE IN mm.
TÜM ÇELİK ELEMANLAR, CIVATA, SOMUN VE RONDDELALAR SICAK DALDIRMA GALVANİZDİR. (EN ISO 1461)
ALL STEEL ITEMS, BOLTS, NUTS & WASHERS TO BE HOT-DIP GALV. AS PER (EN ISO 1461)
TASARIM KRİTERLERİNE GÖRE CIVATALAR (ISO 898) 5.8 & 6.8 & 8.8 OLARAK KULLANILABİLİR.
BOLTS CAN BE USED AS (ISO 898) 5.8 & 6.8 & 8.8 ACCORDING TO DESIGN CRITERIA.

ADİ - SOYADI NAME - SURNAME	TARİH DATE	İMZA SİNG	MALZEME MATERIAL	TASARIM NOTLARI DESIGN NOTES
ÇİZEN DRAWN BY KSAVAS	30.01.2020		GÖVDE SHAFT S235	TASARIM RÜZGAR HIZI DESIGN WIND SPEED 130 km/H
KONTROL CONTROL I.YUCEL	30.01.2020		FLANŞ FLANGE S235	GÜVENLİK KATSAYISI FACTOR OF SAFETY 1.67
ONAY APPROVAL K.CANBALOGLU	30.01.2020		DİĞER OTHER S235	TASARIM STANDARTI DESIGN STANDART

(PAD-SA-2019)-NR-PAD2-30-10 OUTLINE

SİPTEK. NO ORDER NUMBER	STANDART
PAFTA NO DRAWING NUMBER	(PAD-SA-2019)-NR-PAD2-30-10
TARİH DATE	30.01.2020
AĞIRLIK WEIGHT	
BÖLÜM DEPARTMENT	POLİGON
SHEET 1 OF 1	ÖLÇEK SCALE 1:50
A2	REV 0

