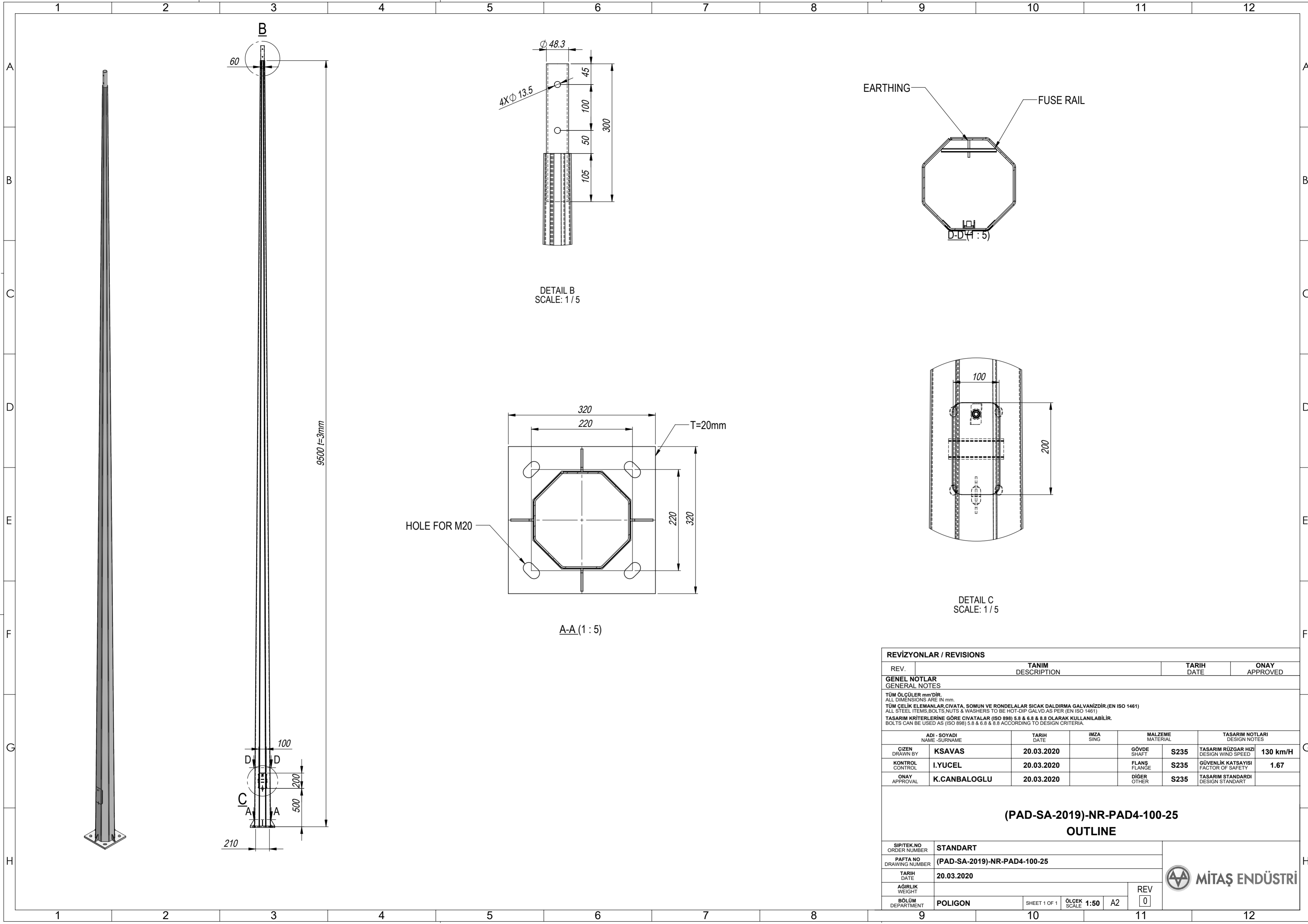


ALL RIGHTS RESERVED. REPRODUCTION OR ISSUE TO THIRD PARTIES IN ANY FORM WHATSOEVER IS NOT PERMITTED WITHOUT WRITTEN AUTHORITY FROM THE PROPRIETORS.

HER HAKKI MAHFUZDUR. YAZILI IZIN OLMADAN DOKÜMANLARIN HIÇ BİR KISMI KOPYA, KAYIT, BASIM VEYA DİĞER HERHANGİ BİR ŞEKİLDE ÇOĞALTILMAZ VE YAYINLANMAZ.



REVİZYONLAR / REVISIONS							
REV.	TANIM DESCRIPTION	TARİH DATE	İMZA SIGN	ONAY APPROVED			
GENEL NOTLAR GENERAL NOTES							
TÜM ÖLÇÜLER mm'DİR. ALL DIMENSIONS ARE IN mm.							
TÜM ÇELİK ELEMANLAR, CIVATA, SOMUN VE RONDELALAR SICAK DALDIRMA GALVANİZDİR. (EN ISO 1461) ALL STEEL ITEMS, BOLTS, NUTS & WASHERS TO BE HOT-DIP GALVANIZED PER (EN ISO 1461)							
TASARIM KRİTERLERİNE GÖRE CIVATALAR (ISO 898) 5.8 & 6.8 & 8.8 OLARAK KULLANILABİLİR. BOLTS CAN BE USED AS (ISO 898) 5.8 & 6.8 & 8.8 ACCORDING TO DESIGN CRITERIA.							
CİZEN DRAWN BY	ADİ - SOYADI NAME - SURNAME	TARİH DATE	İMZA SIGN	MALZEME MATERIAL	TASARIM NOTLARI DESIGN NOTES		
KSAVAS		20.03.2020		GÖVDE SHAFT	S235	TASARIM RÜZGAR HIZI DESIGN WIND SPEED	130 km/H
KONTROL CONTROL	I.YUCEL	20.03.2020		FLANŞ FLANGE	S235	GÜVENLİK KATSAYISI FACTOR OF SAFETY	1.67
ONAY APPROVAL	K.CANBALOGLU	20.03.2020		DİĞER OTHER	S235	TASARIM STANDARTI DESIGN STANDART	
(PAD-SA-2019)-NR-PAD4-100-25 OUTLINE							
SİPTEK NO ORDER NUMBER	STANDART						
PAFTA NO DRAWING NUMBER	(PAD-SA-2019)-NR-PAD4-100-25						
TARİH DATE	20.03.2020						
AĞIRLIK WEIGHT							
BÖLÜM DEPARTMENT	POLİGON	SHEET 1 OF 1	ÖLÇEK SCALE	1:50	A2	REV	0

