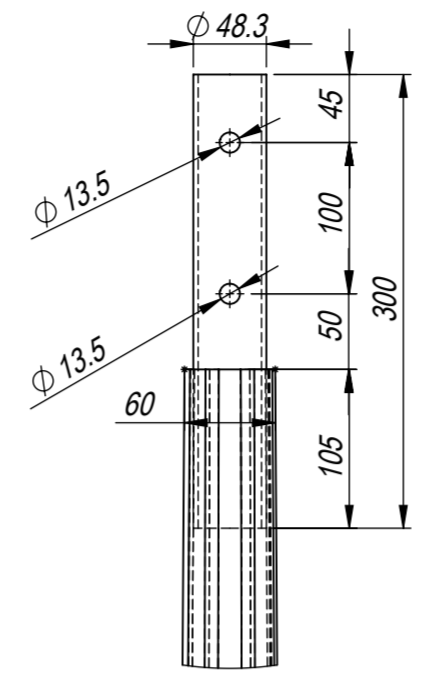
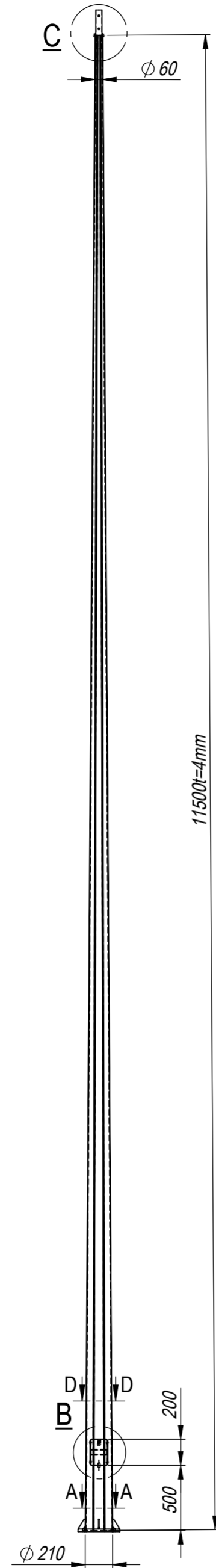
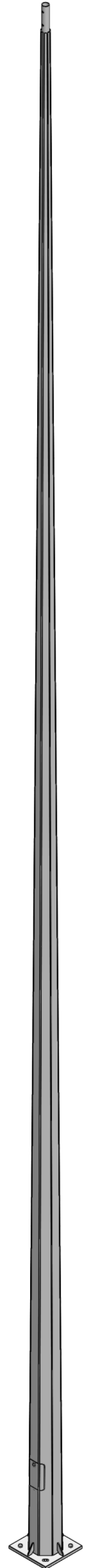
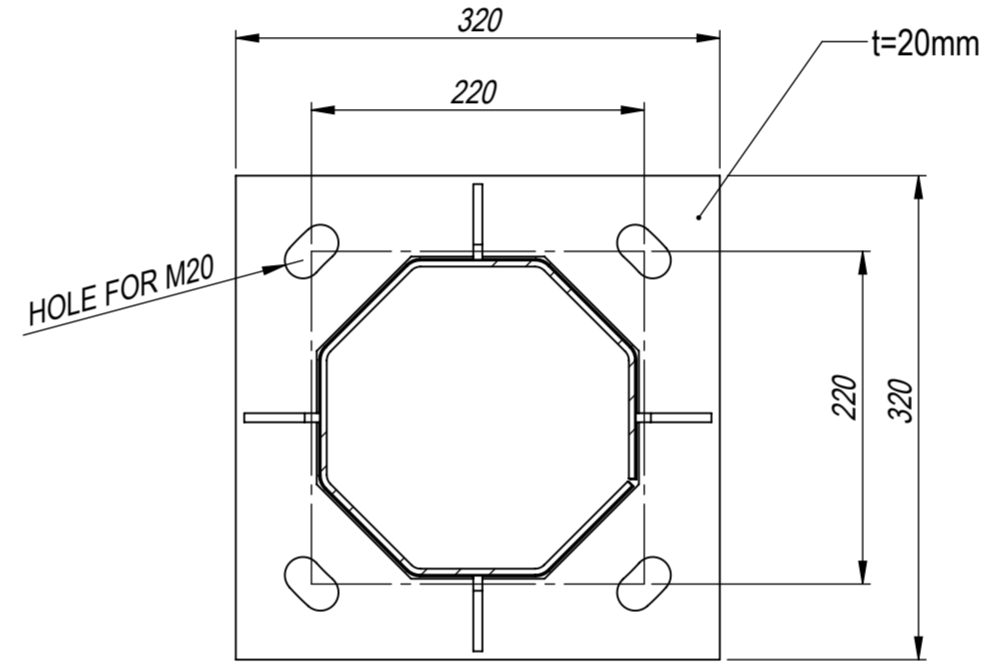


ALL RIGHTS RESERVED. REPRODUCTION OR ISSUE TO THIRD PARTIES IN ANY FORM WHATSOEVER IS NOT PERMITTED WITHOUT WRITTEN AUTHORITY FROM THE PROPRIETORS.

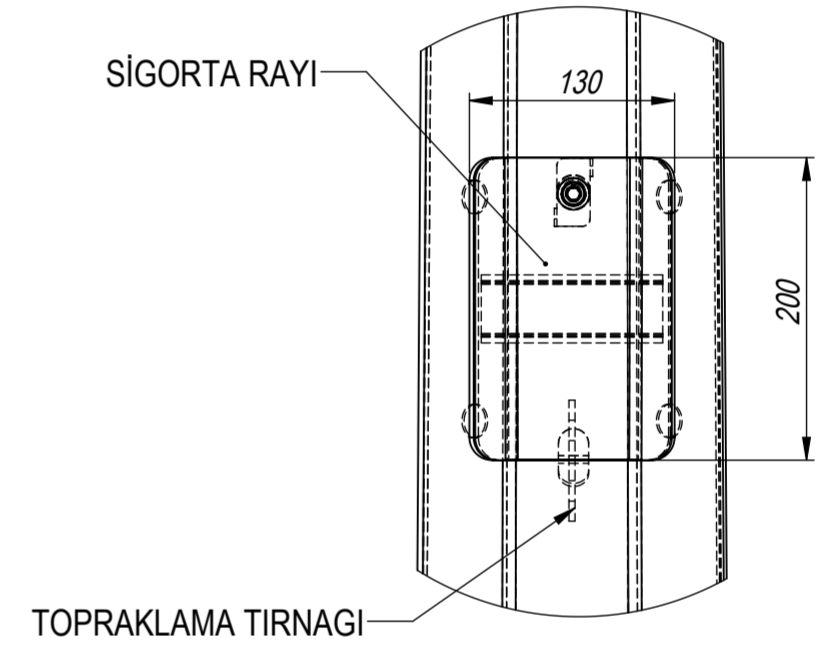
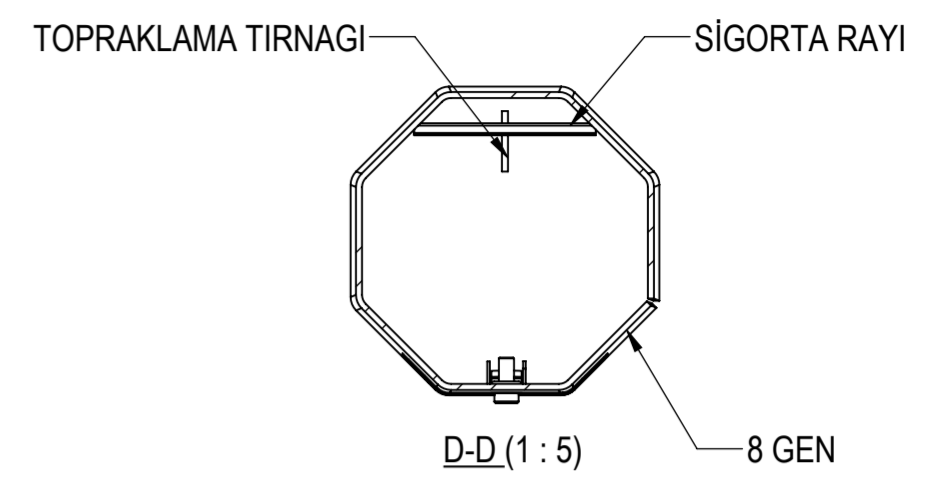
HER HAKKI MAHFUZDUR. YAZILI IZIN OLMADAN DOKÜMANLARIN HIÇ BİR KISMI KOPYA, KAYIT, BASIM VEYA DİĞER HERHANGİ BİR ŞEKİLDE ÇOĞALTILMAZ VE YAYINLANMAZ.



DETAIL C  
SCALE: 1/5



A-A (1:5)



DETAIL B  
SCALE: 1/5

**ANCHOR SET: AC SET 4**

REV.	TANIM DESCRIPTION	TARİH DATE	ONAY APPROVED
<b>GENEL NOTLAR</b> GENERAL NOTES			

TÜM ÖLÇÜLER mm'DİR.  
ALL DIMENSIONS ARE IN mm.  
TÜM ÇELİK ELEMANLAR, CIVATA, SOMUN VE RONDDELALAR SICAK DALDIRMA GALVANİZDİR. (EN ISO 1461)  
ALL STEEL ITEMS, BOLTS, NUTS & WASHERS TO BE HOT-DIP GALV. AS PER (EN ISO 1461)  
TASARIM KRİTERLERİNE GÖRE CIVATALAR (ISO 898) 5.8 & 6.8 & 8.8 OLARAK KULLANILABİLİR.  
BOLTS CAN BE USED AS (ISO 898) 5.8 & 6.8 & 8.8 ACCORDING TO DESIGN CRITERIA.

ADI - SOYADI NAME - SURNAME	TARİH DATE	İMZA SIGN	MALZEME MATERIAL	TASARIM NOTLARI DESIGN NOTES		
ÇİZEN DRAWN BY	KSAVAS	20.03.2020	GÖVDE SHAFT	S235	TASARIM RÜZGAR HIZI DESIGN WIND SPEED	130 km/H
KONTROL CONTROL	I.YUCEL	20.03.2020	FLANS FLANGE	S235	GÜVENLİK KATSAYISI FACTOR OF SAFETY	1.67
ONAY APPROVAL	K.CANBALOĞLU	20.03.2020	DİĞER OTHER	S235	TASARIM STANDARTI DESIGN STANDART	

**(PAD-SA-2019)-NR-PAD4-120-30  
OUTLINE**

SİPTEK.NO ORDER NUMBER	STANDART		
PAFTA NO DRAWING NUMBER	(PAD-SA-2019)-NR-PAD4-120-30		
TARİH DATE	20.03.2020		
AGIRLIK WEIGHT			
BÖLÜM DEPARTMENT	POLİGON		
SHEET 1 OF 1	ÖLÇEK SCALE	1:100	A2
REV	0		

