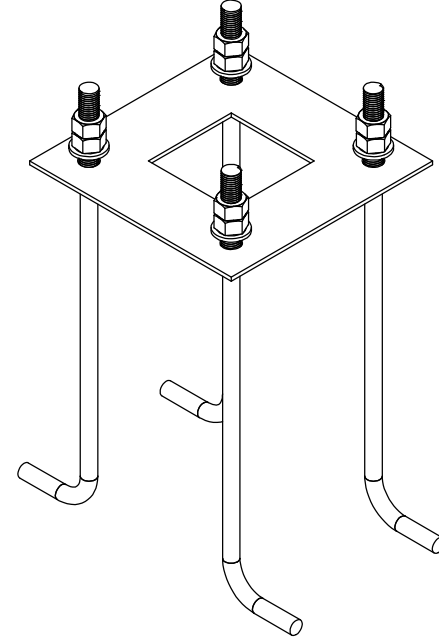


SECTION A-A



**GENEL NOTLAR**  
**GENERAL NOTES**

TUM ÖLÇÜLER mm'DİR.  
ALL DIMENSIONS ARE IN mm.

TUM ÇELİK ELEMANLAR CIVATA, SOMUN VE RONDELALAR SICAK DALDIRMA GALVANİZDİR.(EN ISO 1461)  
ALL STEEL ITEMS,BOLTS,NUTS & WASHERS TO BE HOT-DIP GALVANIZED PER (EN ISO 1461)

TASARIM KRİTERLERİNE GÖRE CIVATALAR (ISO 898) 5,8 & 6,8 & 8,8 OLARAK KULLANILABİLİR.  
BOLTS CAN BE USED AS (ISO 898) 5,8 & 6,8 & 8,8 ACCORDING TO DESIGN CRITERIA.

AKSİ BELİRTİLMEDİKÇE ANKRAJLAR YARI GALVANİZLİDİR.  
UNLESS OTHERWISE IS STATED, ANCHOR BOLTS ARE SEMI-GALVANIZED.

ADI - SOYADI NAME - SURNAME	TARİH DATE	İMZA SIGN	GÖVDE SHAFT	S235
ÇİZEN DRAWN BY	E.KAYA	5/18/2026	FLANŞ FLANGE	S235
KONTROL CONTROL	I.YUCEL	5/18/2026	DİĞER OTHER	S235
ONAY APPROVAL	K.CANBALOĞLU	5/18/2026	ANKRAJ ANCHOR BOLT	
<b>AC set for DAD0 040-0 TKV-C10</b>				TASARIM RÜZGAR HIZI DESIGN WIND SPEED
				GÜVENLİK KATSAYISI FACTOR OF SAFETY
				TASARIM STANDARTI DESIGN STANDART
SİPTEK NO ORDER NUMBER	POLT-2830		REV	0
TARİH DATE	5/18/2026		1:3	A3
BÖLÜM DEPARTMENT	POLİGON		SHEET 2 OF 2	