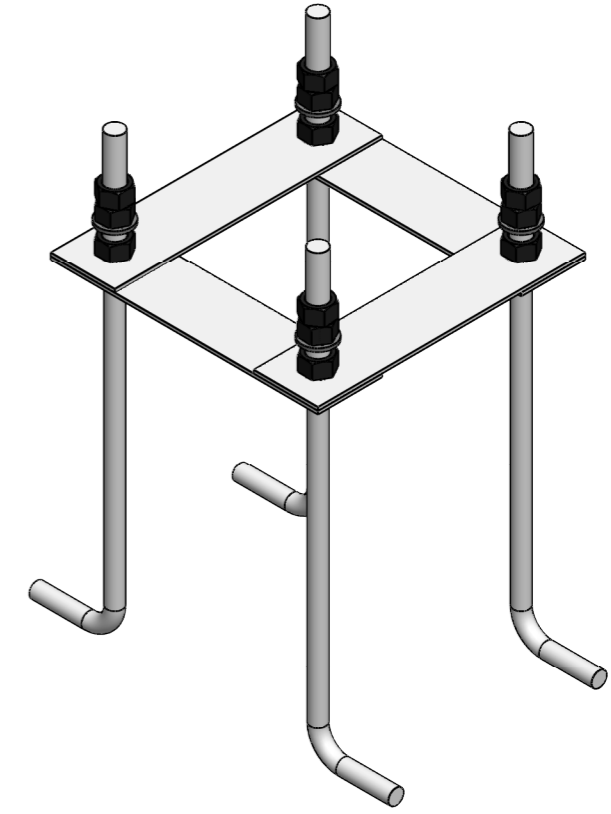


A-A(1:4)



REVİZYONLAR / REVISIONS

REV.	TANIM DESCRIPTION	TARİH DATE	ONAY APPROVED
------	----------------------	---------------	------------------

GENEL NOTLAR  
GENERAL NOTES

TÜM ÖLÇÜLER mm'DİR.  
ALL DIMENSIONS ARE IN mm.  
TÜM ÇELİK ELEMANLAR, CIVATA, SOMUN VE RONDELALAR SICAK DALDIRMA GALVANİZDİR. (EN ISO 1461)  
ALL STEEL ITEMS, BOLTS, NUTS & WASHERS TO BE HOT-DIP GALVD. AS PER (EN ISO 1461)  
TASARIM KRİTERLERİNE GÖRE CIVATALAR (ISO 898) 5.8 & 6.8 & 8.8 OLARAK KULLANILABİLİR.  
BOLTS CAN BE USED AS (ISO 898) 5.8 & 6.8 & 8.8 ACCORDING TO DESIGN CRITERIA.

ADI - SOYADI NAME - SURNAME	TARİH DATE	İMZA SING	MALZEME MATERIAL	TASARIM NOTLARI DESIGN NOTES	
ÇİZEN DRAWN BY	NEKAPLAN	5.03.2020	GÖVDE SHAFT	S235	TASARIM RÜZGAR HIZI DESIGN WIND SPEED
KONTROL CONTROL	I.YUCEL	5.03.2020	FLANŞ FLANGE	S235	GÜVENLİK KATSAYISI FACTOR OF SAFETY
ONAY APPROVAL	K.CANBALOGLU	5.03.2020	DİĞER OTHER	S235	TASARIM STANDARDI DESIGN STANDART

(PAD-SA-2019) - AC Set-7  
OUTLINE

SİP/TEK.NO ORDER NUMBER	STANDART			REV 0	MİTAŞ ENDÜSTRİ
PAFTA NO DRAWING NUMBER	(PAD-SA-2019) - AC SET-7				
TARİH DATE	5.03.2020				
AĞIRLIK WEIGHT					
BÖLÜM DEPARTMENT	POLİGON	SHEET 1 OF 1	ÖLÇEK SCALE 1:5	A3	