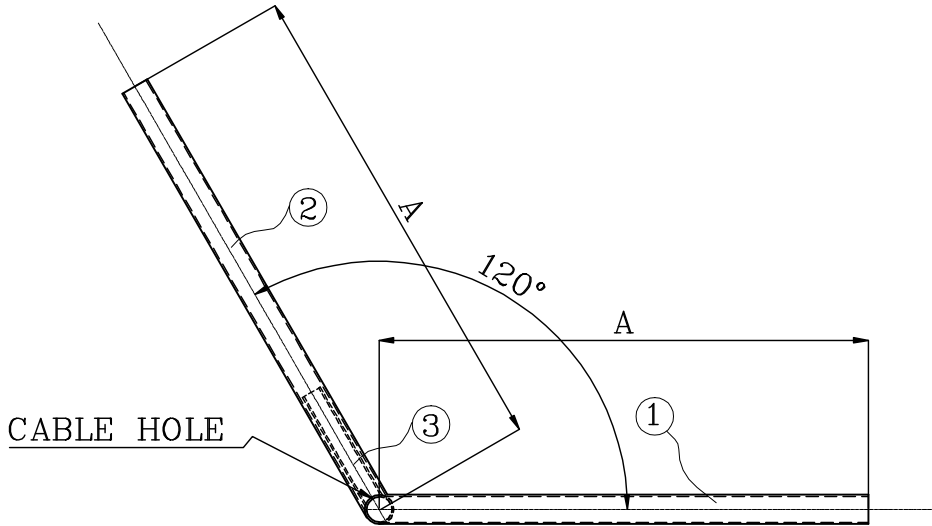
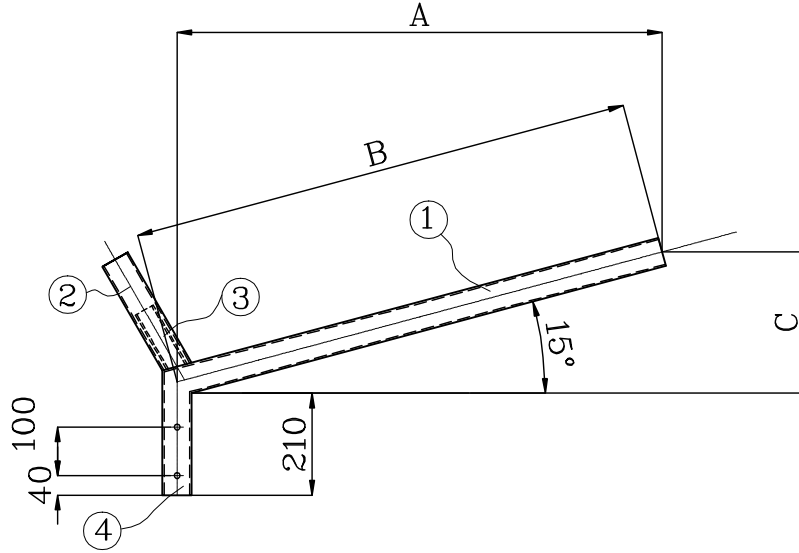



	A	B	C
1/500	500	518	157
1/1000	1000	1035	291
1/1500	1500	1553	425
1/2000	2000	2071	559



PROJE ADI **PADK2-DOUBLE ARM 120DER**



Eski Gubernörlük Yolu No: 113
P.K. 9 Gazı Ciftligi 06560 ANKARA
Tel: (0312) 296 20 00 (Pbx)
Fax: (0312) 310 46 36
e-mail: info@mitaspole.com

HAZIRLAYAN / DESIGN. BY	CIZEN / DRAWN BY	KONTROL / CHECKED BY	ONAY / APPROVED BY
MURAT TEKE	MURAT TEKE	MURAT TEKE	Y.SIVRITAS
ÖLÇEK / SCALE	TARİH / DATE	PAFTA NO / DRAWING NO	REV. 
NTS	21/04/2011	*	