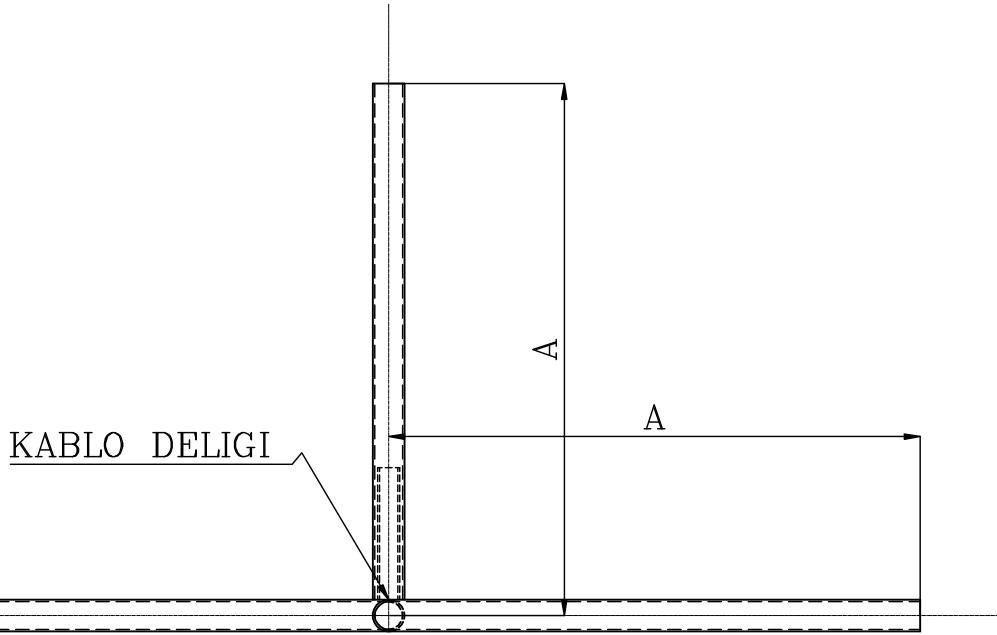
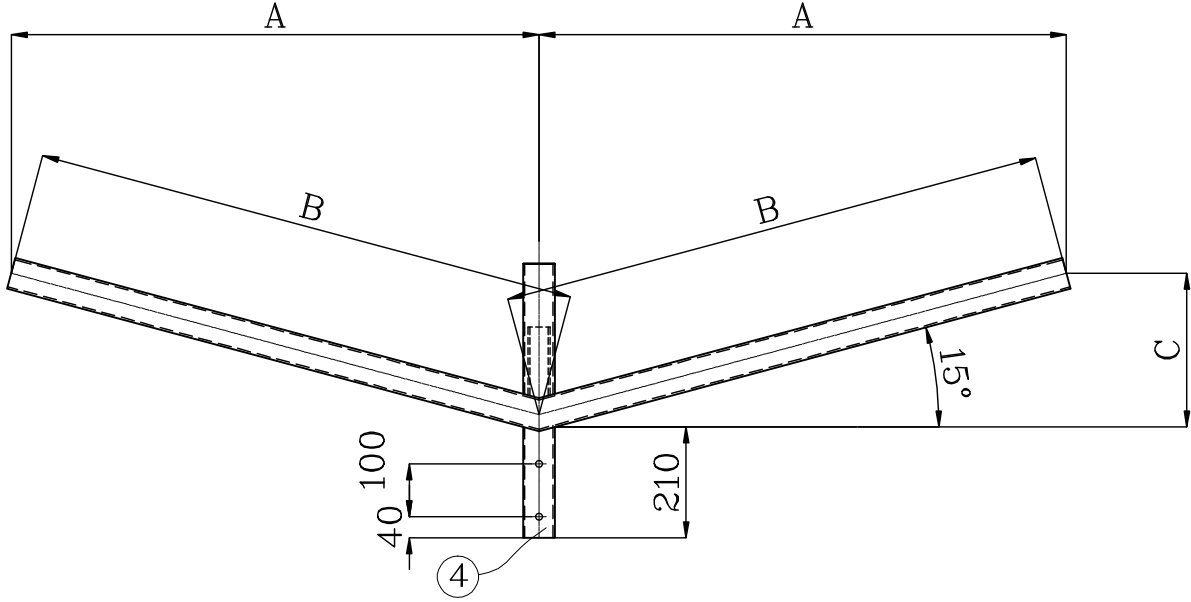


	A	B	C
1/500	500	518	157
1/1000	1000	1035	291
1/1500	1500	1553	425
1/2000	2000	2071	559



PROJE ADI

PADK3-TRIPLE ARM 90°



Eski Guvercinlik Yolu No: 113
P.K. 9 Gazi Ciftligi 06560 ANKARA
Tel (0312) 296 20 00 (Pbx)
Fax (0312) 310 46 36
e-mail info@mitaspole.com

HAZIRLAYAN / DESIGN. BY

MURAT TEKE

OLCEK / SCALE

NTS

CIZEN / DRAWN BY

MURAT TEKE

TARİH / DATE

21/04/2011

KONTROL / CHECKED BY

MURAT TEKE

PAFTA NO / DRAWING NO

*

ONAY / APPROVED BY

Y.SIVRITAS

REV.

00