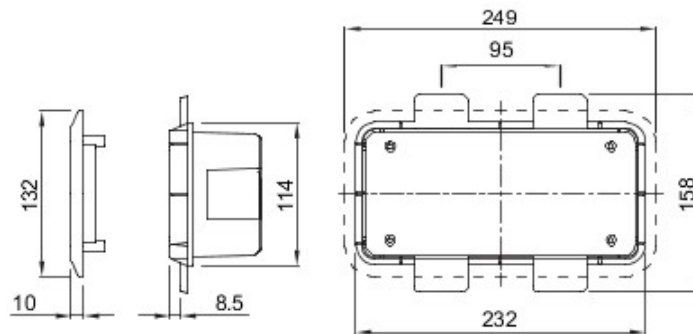




For walls	Plasterboard	Houseable interloc. socket	1
IP degree	IP55	Shock resistance	IK08
Houseable IB socket-outlets	16/32 A SBF / CBF / Automatika	Electrocod	2220
Glow wire test	850 °C (bottom) - 650 °C (frame)	Drilling bottom	Through multidiameter cutter
Minimum installation temperature	-15°C		

DIMENSIONAL



TECHNICAL SYMBOLOGY

IP

IP55

IK

IK08

GWT

850 °C (bottom) - 650 °C (frame)

STANDARDS/APPROVALS

