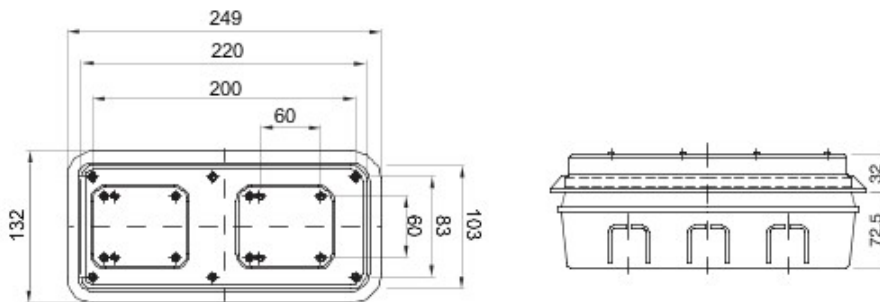




For walls	Plasterboard	Glow Wire Test	650 °C
IP degree	IP55	Shock resistance	IK08
Electrocod	2222	Houseable IB socket-outlets	N. 1 IEC 309 16-32A IP44/67 + N.1 16A MAX 3P+E or GW274
Drilling bottom	Through multidiameter cutter	Minimum installation temperature	-15°C

DIMENSIONAL



TECHNICAL SYMBOLOGY

GWT

650 °C

IP

IP55

IK

IK08

STANDARDS/APPROVALS

