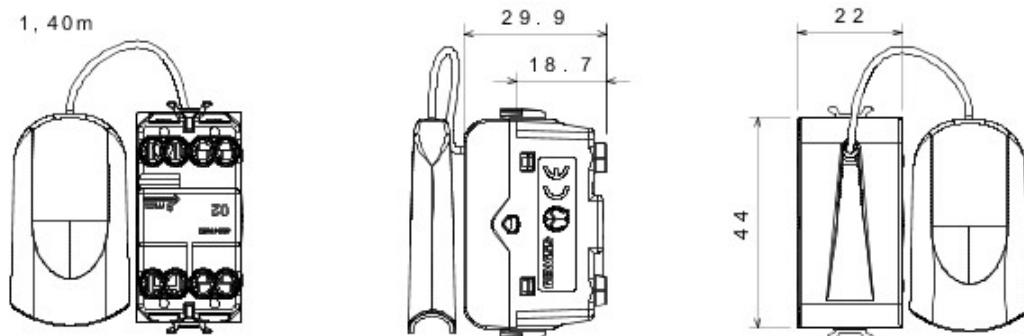




A range of Chorus modular devices and plates made in antibacterial technopolymer, white colour and glossy finish, suitable for hospitals, structures for aged people, schools and wherever cleanness and hygiene are an essential component. The effectiveness of the antibacterial treatment, based on the addition of silver ions, is able to reduce the bacterial growth by 99% within 24 hours and has been tested according to the ISO 22196 (MRSA and Escherichia coli strains) through certified laboratories.

Category	Push-button	Button key	Pull-cord
Colour	White	Description	1P NO - 16A
Voltage	250 V ac	Standard	EN 60669-1; ISO 22196
Resistance at test voltage	2000 V at 50 Hz for 1 minute	Insulation resistance	> 5 MOhm
Wiring terminals	With screw	Prolonged operation switch (no.of position changes)	40.000 at In 250 V ac cosØ=0,6
Thermo-pressure with ball	125 °C	Glow Wire Test	850 °C
Terminal grip on cable traction	> 50 N	Terminal tightening capacity stranded cables (mm2)	min. 0,75 - max. 2x4
Terminal tightening capacity solid cables (mm2)	min. 0,5 - max. 2x2,5	No. Chorus modules	1
Material	Antibacterial tecnopolymer	Electrocod	0130

### DIMENSIONAL



### TECHNICAL SYMBOLOGY



### STANDARDS/APPROVALS

