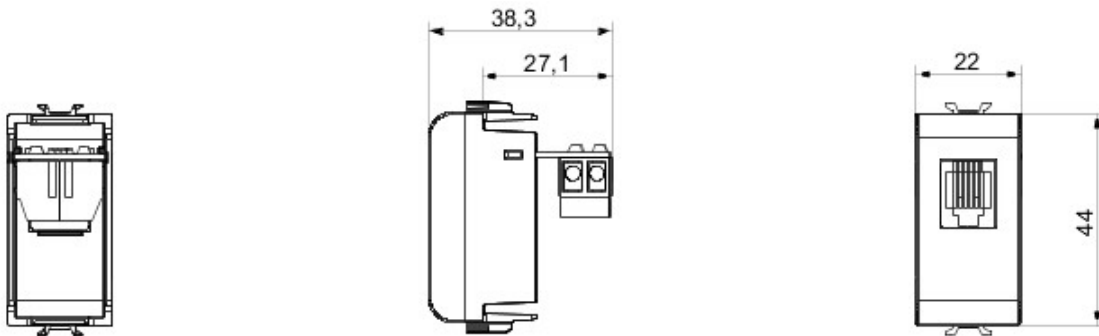




A range of Chorus modular devices and plates made in antibacterial technopolymer, white colour and glossy finish, suitable for hospitals, structures for aged people, schools and wherever cleanness and hygiene are an essential component. The effectiveness of the antibacterial treatment, based on the addition of silver ions, is able to reduce the bacterial growth by 99% within 24 hours and has been tested according to the ISO 22196 (MRSA and Escherichia coli strains) through certified laboratories.

Category	Telephone socket-outlet	Description	RJ11
Colour	White	Connection	Screw-on terminals
Standard	ISO 22196	No. Chorus modules	1
Electrocod	3720	Material	Antibacterial tecnopolymer

DIMENSIONAL



STANDARDS/APPROVALS



GEWISS S.p.A. Via A. Volta, 1
24069 Cenate Sotto - Bergamo - Italy
tel. +39 035 94 61 11 fax +39 035 94 69 09

www.gewiss.com
sat@gewiss.com
Last update 28/05/2021

Data, measures, designs and pictures are shown only as informative purposes, and could be changed without previous notice