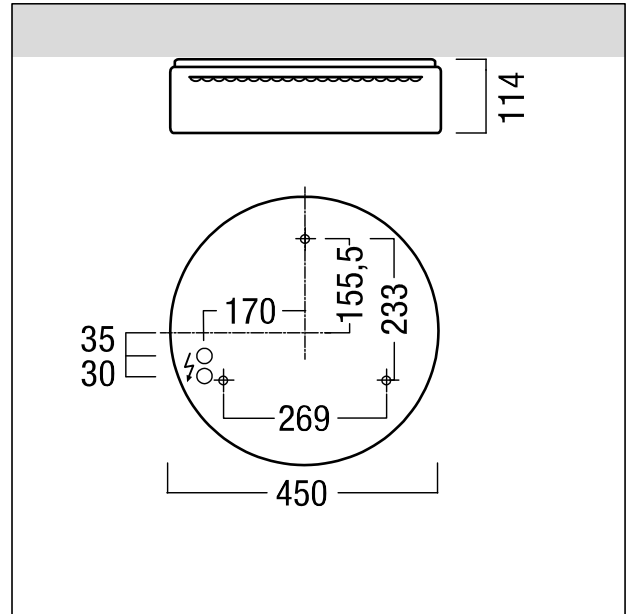


diff. lum. with opal diffuser

Circular LED surface-mount luminaire with IP50 with opal diffuser. Total power: 33.1 W, DALI controllable luminaire with LED converter. LED service life lasts 50000 h before luminous flux is reduced to 90% of the initial value. Chromaticity tolerance (initial MacAdam): 3. Luminaire luminous flux: 3800 lm, Luminaire efficacy: 115 lm/W. Colour rendering Ra > 80, colour temperature 3000 K. Integrated ESD protection of the LED module. Housing made of pre-painted, roll-formed sheet steel, white, with injection-moulded diffuser made of opal polymethylmethacrylate. Edges sealed by high-quality foamed, water-repellent polyurethane seal; practical fastening via plastic fixing clips. Approved ambient temperature: -20°C to +25°C. Luminaire wired with halogen-free leads. Please note: please talk to your adviser if you are planning to use the luminaire in environments containing chemical pollutants or with outdoor use. Dimensions: 450 x 450 x 114 mm; weight: 2.5 kg.



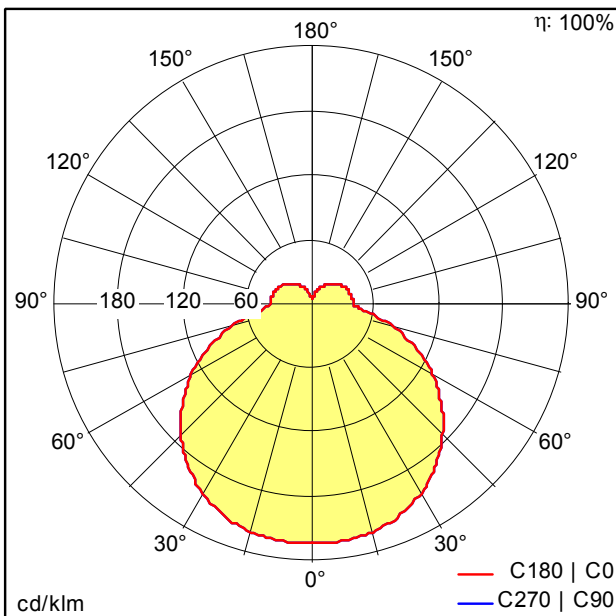
ZS_PER_F_rund_450.jpg



ZS_PER_M_Perluce-LED_rund_450.wmf

Light Distribution

STD - standard



D33063AA_PERLUCE_O_LED3800-830_D450_LDE.ltd

- Light Source: LED
- Luminaire luminous flux*: 3800 lm
- Luminaire efficacy*: 115 lm/W
- Colour Rendering Index min.: 80
- Ballast: 1 x 28000655 DRV TR LCA 50W 400mA 140V D #04A Ip PRE
- Correlated colour temperature*: 3000 Kelvin
- Chromaticity tolerance (initial MacAdam)*: 3
- Rated median useful life*: 50000h L90 at 25°C
- Luminaire input power*: 33.1 W Lambda = 0.96
- Standby Power*: 0.2 W
- Dimming: LDE dimmable to 1% over DALI, DSI and switchDIM DC level is adjustable
- Maintenance category: E - Dust-proof IP5X

All values marked with an * are rated values. Luminous flux and connected electrical load are subject to an initial tolerance of +/- 10%. Tolerance of color temperature: +/- 150 K. Unless stated otherwise, the values apply to an ambient temperature of 25°C. The level of luminous flux reduces over the life cycle due to technological reasons. The failure of up to 1 LED points causes no functional impairment and is therefore no reason for complaint.

