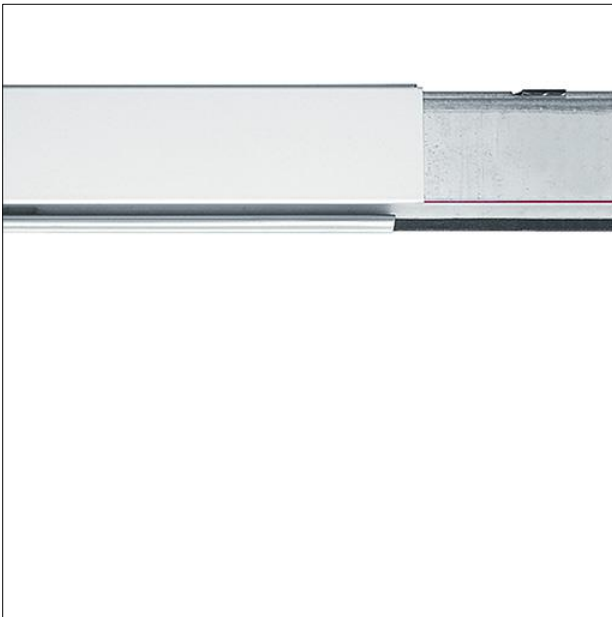
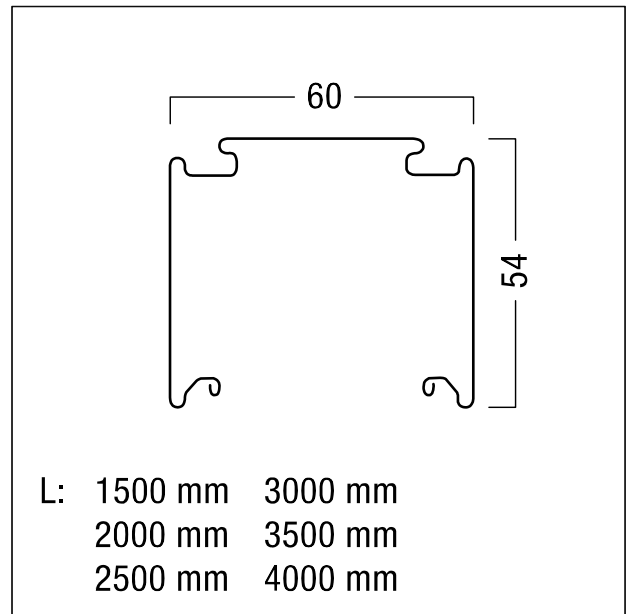


Mounting track levelling piece

Mounting track levelling piece made of roll-formed sheet steel in white polyester lacquer finish. Tool-free connection using electrical feed kit. Dimensions: 1004x60x58 mm; weight: 1.7 kg



ZS_TEC_F_Trageschiene.jpg



ZS_TEC_M_Tragschienen.wmf