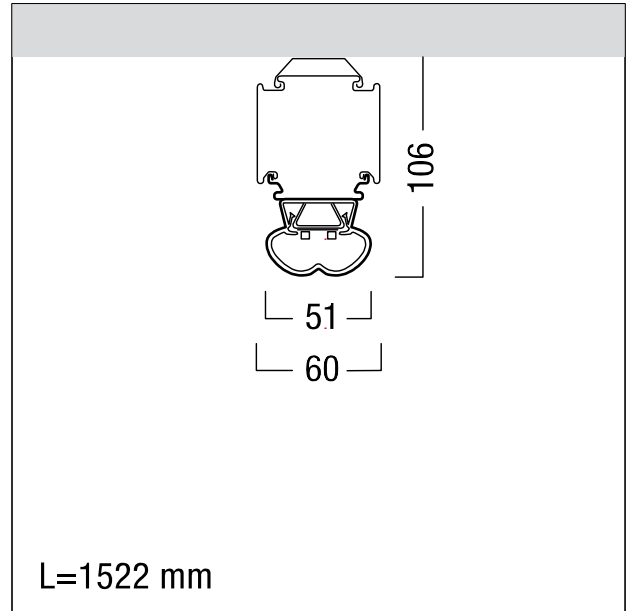


LED continuous-row luminaire

Energy-efficient LED continuous-row luminaire in white. Luminaire input power: 32 W, with LED converter; LED service life lasts 50000 h before luminous flux is reduced to 85% of the initial value. Chromaticity tolerance (initial MacAdam): 3. Luminaire luminous flux: 5400 lm, Luminaire efficacy: 169 lm/W. Colour rendering Ra > 80, colour temperature 4000 K. Energy-efficient LED continuous-row luminaire makes environmental and financial sense. All-in-one approach: Batten luminaire, lamp and diffuser optic are combined in a single product. Phase selected from tap. 100% flexible, tool-free mechanical and electrical installation on the TECTON trunking using two side-mounted rotary levers. No ultraviolet or infrared radiation. ambient temperature: -20°C to +30°C. Luminaire wired with halogen-free leads. Please note: please talk to your adviser if you are planning to use the luminaire in environments containing chemical pollutants or with outdoor use. Dimensions: 1522 x 51 x 48 mm. Weight: 2.5 kg



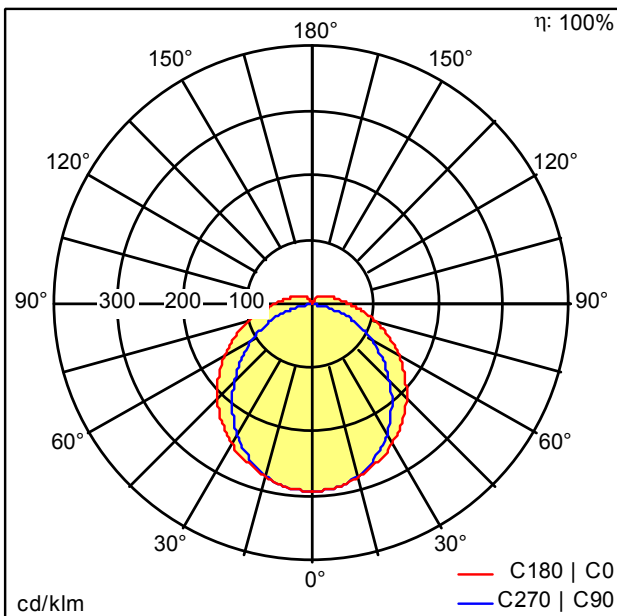
ZS_TEC_F_LED_basic.jpg



ZS_TEC_M_BasicLED.wmf

Light Distribution

STD - standard



D44080AA_TECTON_B_BASIC_LED5200-840_L1522_LDE_WH.Idt

- Light Source: LED
- Luminaire luminous flux*: 5400 lm
- Luminaire efficacy*: 169 lm/W
- Colour Rendering Index min.: 80
- Ballast: 1 x 28002468 DRV TR LC 53W 350mA 150V F #flexC Ip ADV
- Correlated colour temperature: 4000 Kelvin
- Chromaticity tolerance (initial MacAdam): 3
- Rated median useful life*: L85 50000h at 30°C
- Luminaire input power*: 32 W Power factor = 0.98
- Standby Power*: 0.15 W
- Maintenance category: D - Enclosed IP2X
- Total harmonic distortion (THD): 17.93 %

All values marked with an * are rated values. Luminous flux and connected electrical load are subject to an initial tolerance of +/- 10%. Unless stated otherwise, the values apply to an ambient temperature of 25°C.

The level of luminous flux reduces over the life cycle due to technological reasons. The failure of up to 3 LED points causes no functional impairment and is therefore no reason for complaint.