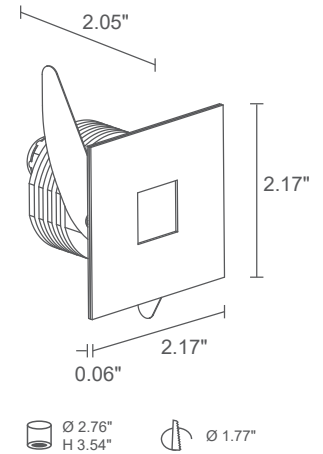


STEP OUTSIDE 6.1



Installation	step light for outdoor applications
Mounting	recessed (wall)
Material	body in aluminum, trim in stainless steel
Finishes	white, cor-ten, black, satin
No. and type of LED	1 power LED
Nom. power consumption	max 2W
Power supply	max 500mA
Power supply unit	not included
Connection	series
Total delivered lumens	Step 6.1: 29 lm (3000K, 500mA)
Optics	diffuse
LED color	white: 2700K, 3000K, 4000K, 5000K; blue
Ingress protection	IP65



CE IP65 0.55 lbs IPS

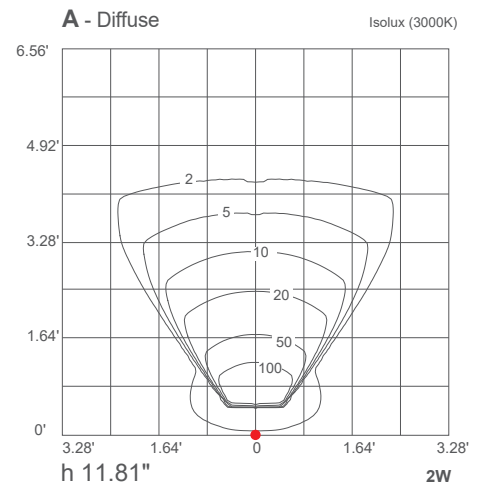
max 2W - max 500mA

- SP6112 ■ A A S Satin
- SP6112 ■ A A E White
- SP6112 ■ A A N Black
- SP6112 ■ A A R Cor-ten

- LED Color
- 0 - 5000K
- 1 - Blue
- 5 - 3000K
- 9 - 4000K
- F - 2700K



SP61125AAE 3000K, White



Job Name:

Fixture Type:

Last Modified:

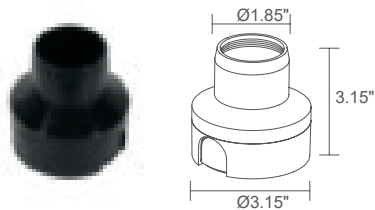


sales@designplan.com
www.designplan.com

ACCESSORIES

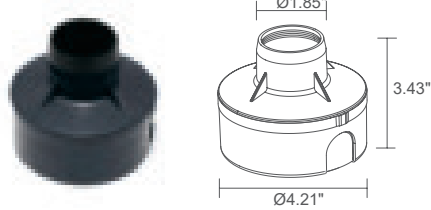
■ Accessories

For installation



WC1500

Outer casing



WC1501

Outer casing

Job Name:

Fixture Type:

Last Modified:



designplan 

sales@designplan.com
www.designplan.com

POWER SUPPLIES

500mA

PPLT00206	120-277vAC to 500mA 6W Class 2		1-3 Fixtures
PPLT00466	120-277vAC to (150-1400mA) 10W Class 2	0-10v dimming (to 1%)	1-5 Fixtures
PPLT00465	120-277vAC to (150-1400mA) 20W Class 2	0-10v dimming (to 1%)	1-10 Fixtures
PPLT00207	120vAC to 500mA 26W Class 2	trailing-edge dimmable to 10% (120v only)	2-13 Fixtures
PPLT00480	120-277vAC to (150-1400mA) 30W Class 2	0-10v dimming (to 1%)	1-15 Fixtures

Job Name:

Fixture Type:

Last Modified:



sales@designplan.com
www.designplan.com