

PRODUCT DATA SHEET

Mercury Ceiling LED 3000K



DESIGN BY:

Ross Lovegrove
2011

MATERIALS:

Aluminium, ABS, steel

DESCRIPTION:

Lamp available in the suspension and ceiling versions. "A ceiling fixture that places a floating assembly of large pebbles below a simple modern aluminium disc. These in turn reflect each other bouncing light between their taught bio - morphic surfaces and reflecting the environment around them. During the day the piece acts as a sculptural object reflecting the dynamics of natural light and the movement of people around them. Die-cast aluminium lighting units; reflective units made of injection-moulded thermoplastic material with metallic finish; stainless steel reflector. Dimmable (SwitchDim).

SELECT

LED

Polished chrome

PRODUCT CODE

1366110A

Light emission



IP20

Dimmable

TECHNICAL DATA SHEET

FEATURES

Product name:	Mercury Ceiling LED 3000K
Article Code:	1366110A
Colour:	Polished chrome
Material:	Aluminium, ABS, steel
Series:	Design, Hydro
Environment:	Indoor
Area contract:	Hospitality Hotel, Office, Private Residence

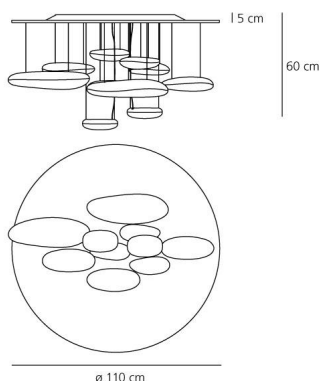
OPTICS

Emission:	Indirect
-----------	----------

DIMENSIONS

Height:	cm 55
Diameter:	cm 110
Glow Wire Test:	960 °

DIMENSIONS



LAMPS INCLUDED

LED	Category:	LED COB
	Number:	2
	Watt:	29W
	Color temperature (K):	3000K

COLOUR



LUMINAIR

Watt:	58W
Voltage:	220V-240V
Luminous Flux (lm):	3094lm
CCT:	3000K
Efficiency:	54%
Efficacy:	53.34lm/W
CRI:	90
Dimmable Typology:	Push

2008 – Good Design Award The Chicago Atheneum, Chicago (US)