

Recessed LED downlight

Recessed LED downlight one for one replacement for traditional 2x26W compact fluorescent downlights. Consistent light output with no shadowing. High efficacy, up to 80% energy saving compared with fluorescent light sources. Ceiling cutout  $\varnothing$  200-240mm - identical to traditional products. AMY VARIO LED can be installed into a wide range of ceiling types of 2-20mm thickness. THD<25%. Switchable colour temperature: choose between warm white (3000K) and neutral white (3500K) and cold white (4000K) to suit application use. Photobiological Risk Group RG0. Plug&Play with "Just Emergency E3 KIT" for 3h emergency operation.

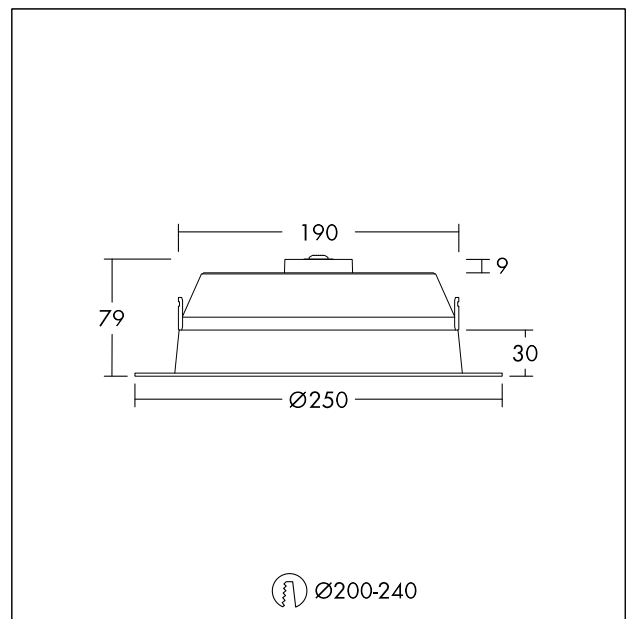
Body: steel, white finish (RAL 9003)

Diffuser: polycarbonate

Weight: 0.6 kg



TE\_AMYVARIO\_F\_200.jpg

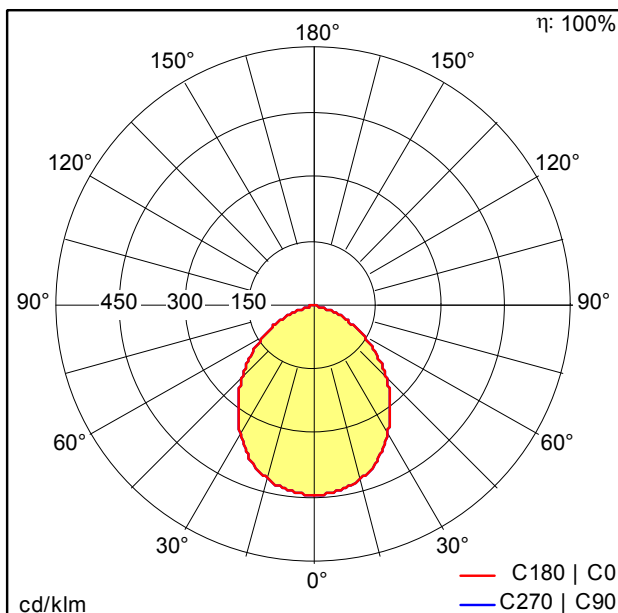


$\varnothing$ 200-240

TE\_AMYVARIO\_M\_200.wmf

Light Distribution

STD - standard



- Light Source: LED
- Luminaire luminous flux\*: 2002 lm
- Luminaire efficacy\*: 100 lm/W
- Colour Rendering Index min.: 80
- Correlated colour temperature: 3000-4000 Kelvin
- Chromaticity tolerance (initial MacAdam): 5
- Rated median useful life\*: L80 50000h at 25°C
- Ballast: 1x LED\_Con
- Luminaire input power\*: 20 W Power factor = 0.9
- Dimming: PCDCG dimmable to 10%

Please also consult the additional information on the next page  
AMY\_VARIO\_200\_LED\_DL\_2000\_840.tdt

AMY VARIO



AMY VARIO 200 LED DL 2000 830/35/40

96632756

Recessed LED downlight