

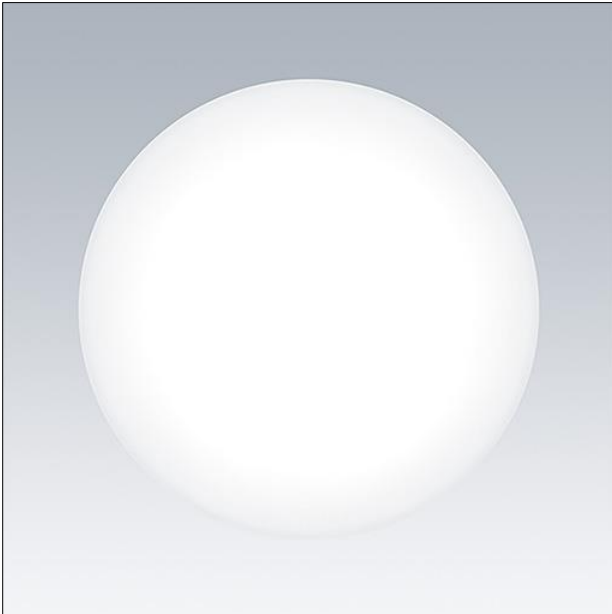
Surface mounted luminaire

Circular IP44 bulkhead with switchable colour temperature: choose between warm white (3000K) and neutral white (3500K or 4000K) to suit application use. Quality PMMA diffuser for an even light distribution. Reliable integrated LED technology, ensuring maintenance-free installation and a long lifetime. Direct replacement for 2x 18W and more than 55% energy savings compared with luminaires with CFL lamps. Piano key terminal for wires up to 2.5mm<sup>2</sup>. Quick and easy installation, loop-in loop-out possible. Integrated microwave presence sensor maximizing the energy saving potential. Flicker free.

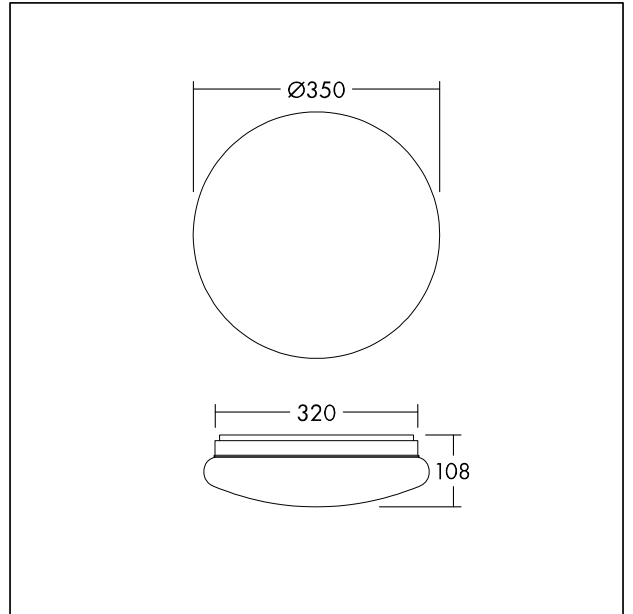
Backplate: steel, white finish.

Diffuser: opal, PMMA.

Weight: 0.67 kg



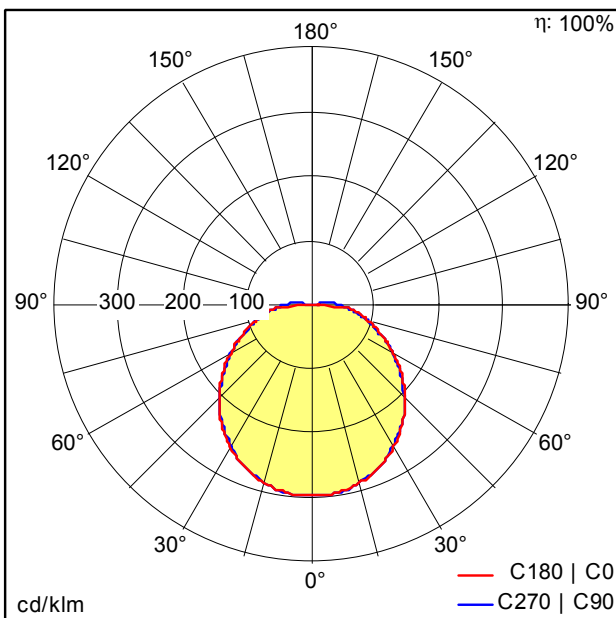
TE\_LENA\_F\_frontal\_320.jpg



TE\_LENA\_M\_320.wmf

Light Distribution

4000 K



TE\_LENA\_VARIO\_LED\_320\_1400\_840\_MWS.idt

- Light Source: LED
- Luminaire luminous flux\*: 1450 lm
- Luminaire efficacy\*: 97 lm/W
- Colour Rendering Index min.: 80
- Correlated colour temperature: 4000 Kelvin
- Chromaticity tolerance (initial MacAdam): 5
- Rated median useful life\*: L70 50000h at 25°C
- Ballast: 1x LED\_Con
- Luminaire input power\*: 15 W Power factor = 0.5
- Dimming: Fixed output

All values marked with an \* are rated values. Luminous flux and connected electrical load are subject to an initial tolerance of +/- 10%. Unless stated otherwise, the values apply to an ambient temperature of 25°C.