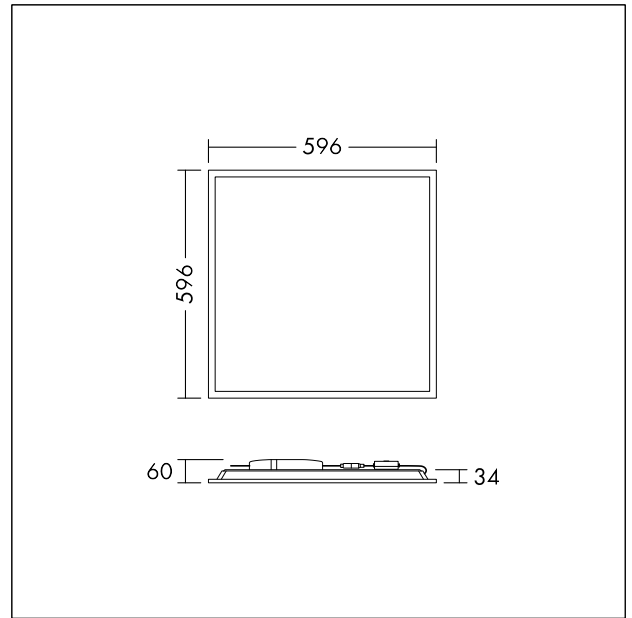


Recessed LED panel

LED Panel with homogenous light emitting surface and FLEX technology, UGR <19 for schools and offices. Total luminous flux: 4400 lm, Luminaire input power: 40 W, Lamp efficacy: 110 lm/W, Colour rendering Ra > 80, colour temperature 3000/3500/4000 K adjustable via switch. Lifetime: 50.000h L80, Chromaticity tolerance (initial MacAdam): 4. Included connector for easy and tool-free loop-in loop-out wiring, Flicker free, compatible with Plug&Play Emergency kit for 3 hour emergency conversation, Suitable for lay-in installation. Surface or recessed mounting box as well a suspension kit available as accessory. Input power adjustable on site by 4 step (FLEX1 - 100%, FLEX2 - 90%, FLEX3 - 85%, FLEX4 - 70%.) Dimensions: 596 x 596 x 60 mm, weight: 1.86 kg.



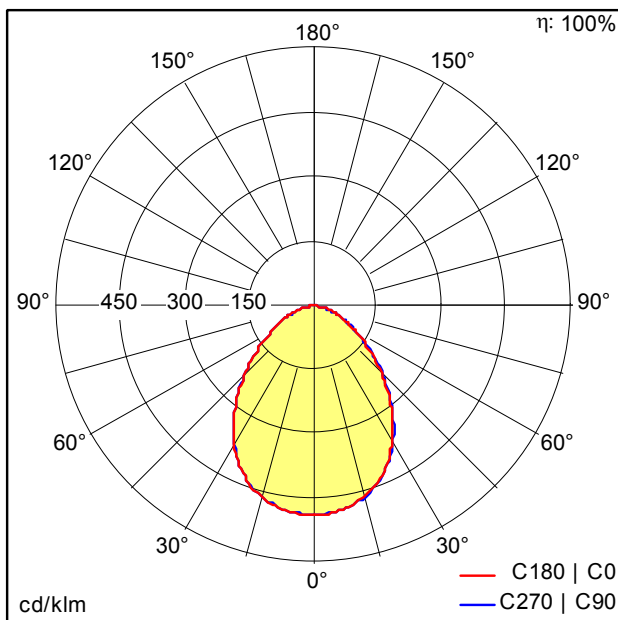
TE_ANNAVARIO_F_600_persp.jpg



TE_ANNAVARIO_M_596.wmf

Light Distribution

STD - standard



TE_ANNA_VARIOFLEX_Q596_4400_840_FLEX1.ltd

- Light Source: LED
- Luminaire luminous flux*: 4404 lm
- Luminaire efficacy*: 110 lm/W
- Colour Rendering Index min.: 80
- Correlated colour temperature: 3000-4000 Kelvin
- Chromaticity tolerance (initial MacAdam): 4
- Rated median useful life*: L80 50000h at 25°C
- Ballast: 1x LED_Con
- Luminaire input power*: 40 W Power factor = 0.95
- Dimming: Fixed output
- Total harmonic distortion (THD): 20.00 %

This product contains a light source of energy efficiency class E.

All values marked with an * are rated values. Luminous flux and connected electrical load are subject to an initial tolerance of +/- 10%. Unless stated otherwise, the values apply to an ambient temperature of 25°C.